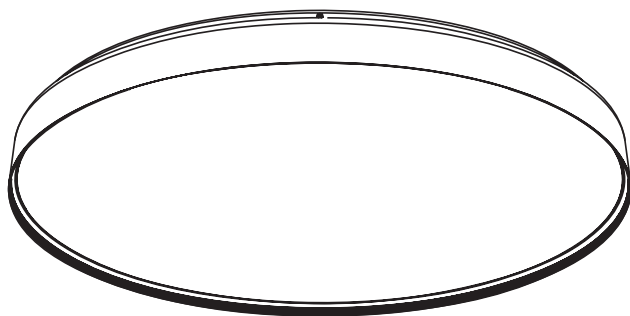


COMPENDIUM PLATE

design Daniel Rybakken

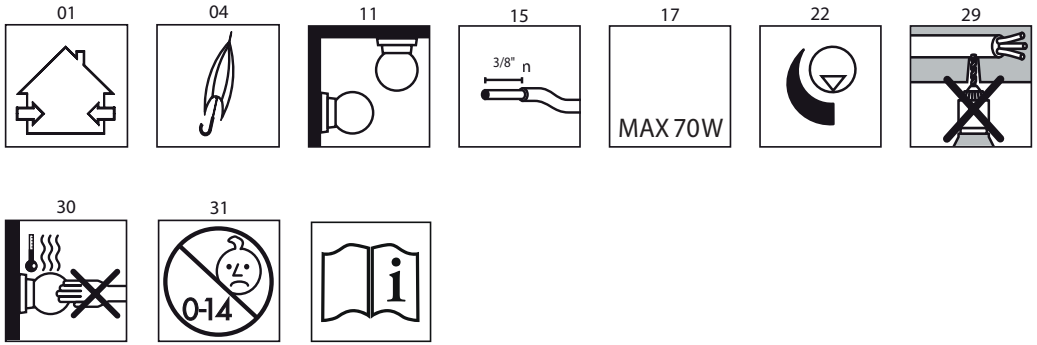


**LUCE
PLAN**

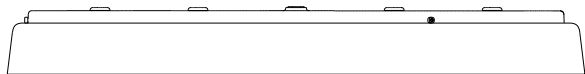
D81P



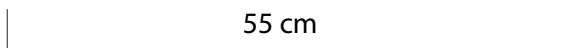
D81P



D81P

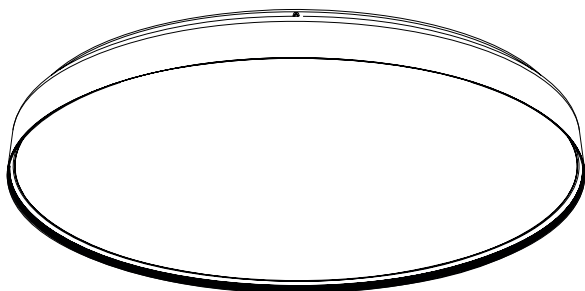


7 cm
2.7"

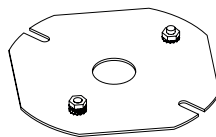


55 cm

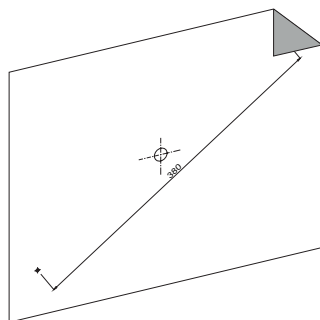
22"



x1



x1

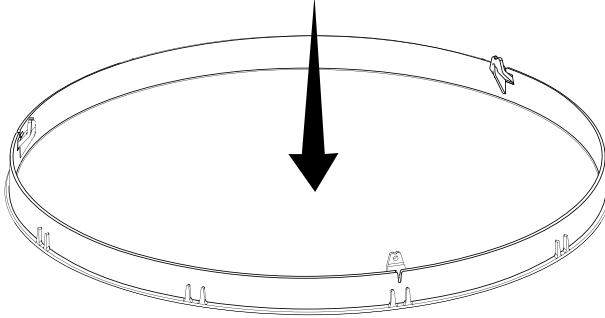
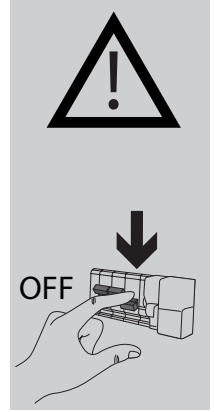
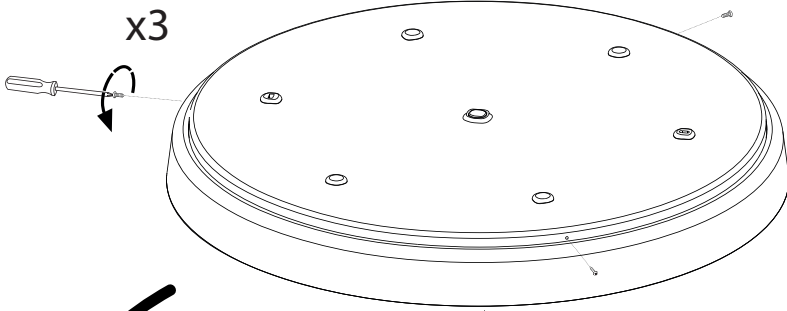


x1

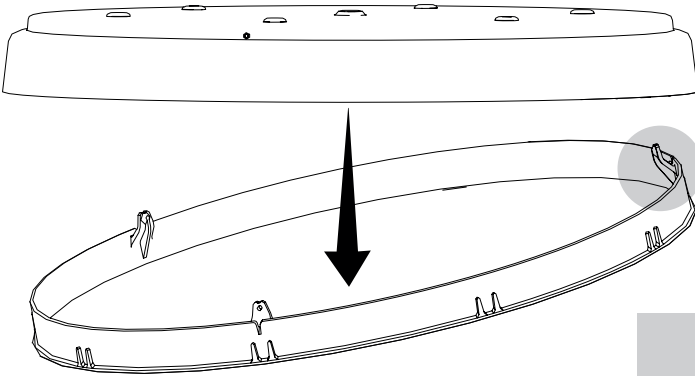
kg 4 kg

lb 8.8 lb

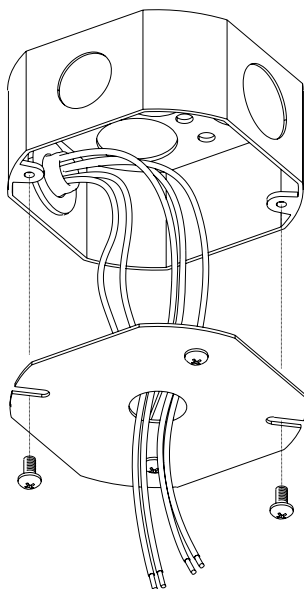
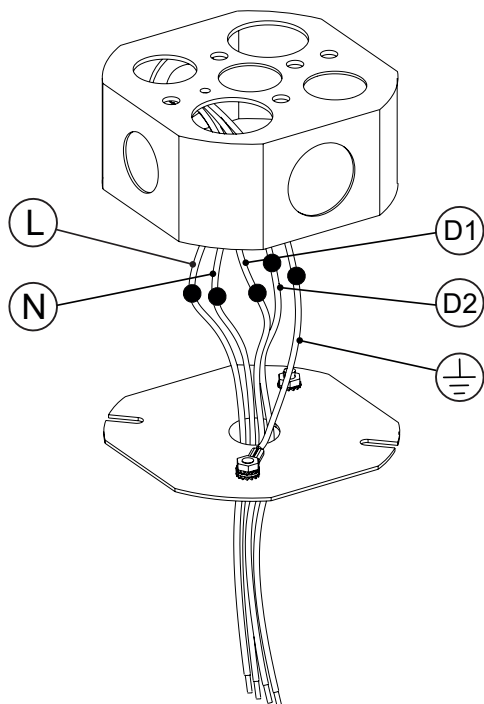
1



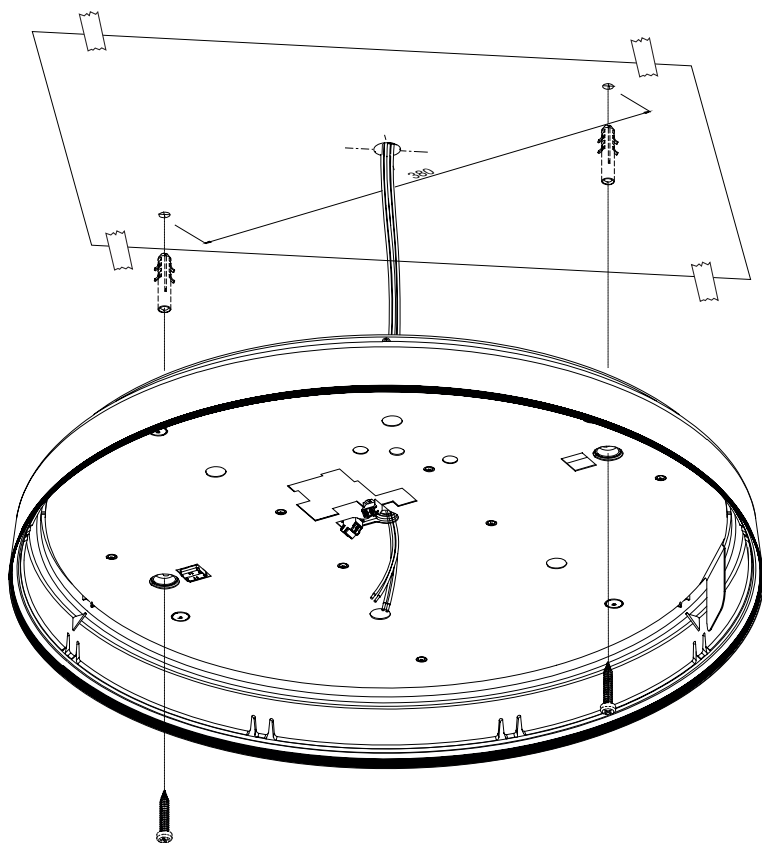
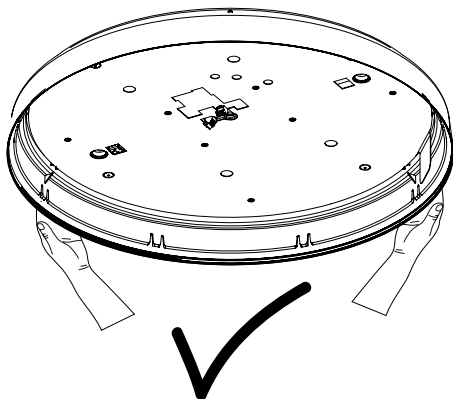
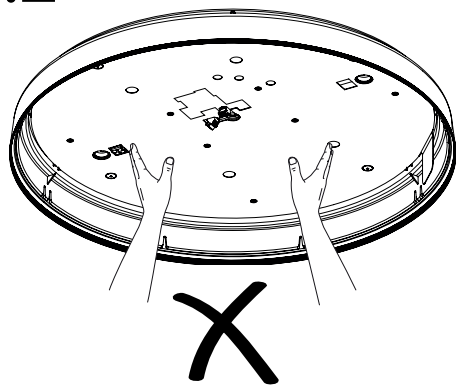
X



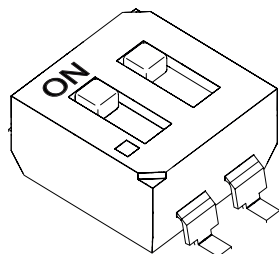
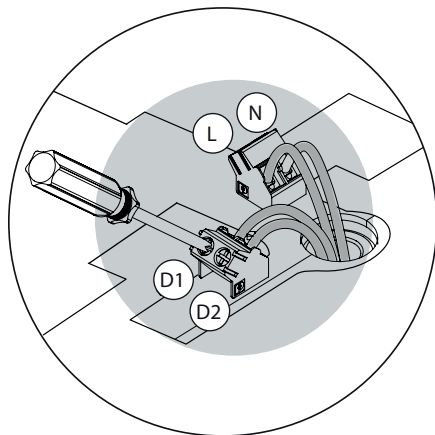
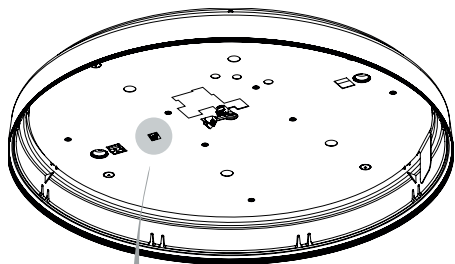
1.1



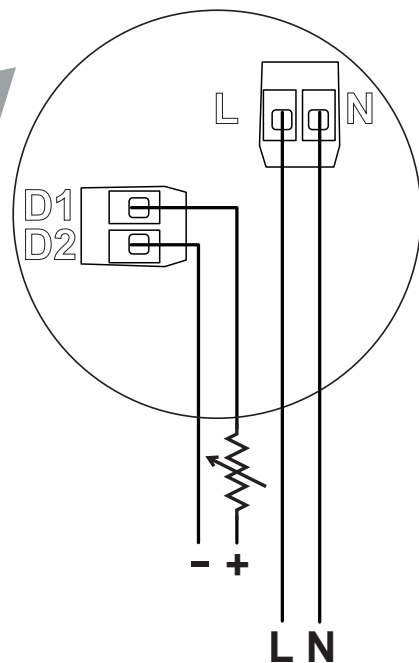
1.2



1.3 D81P1 (120V)



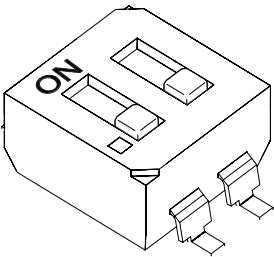
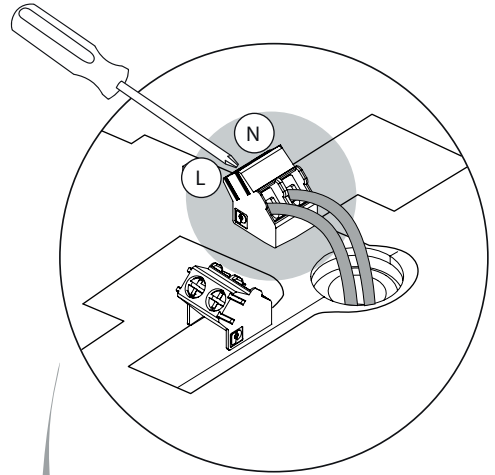
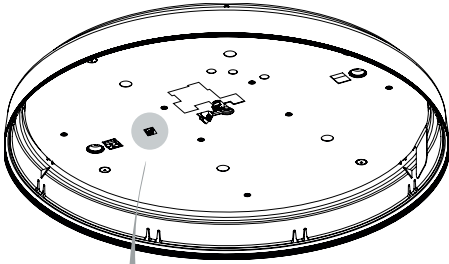
1-10V



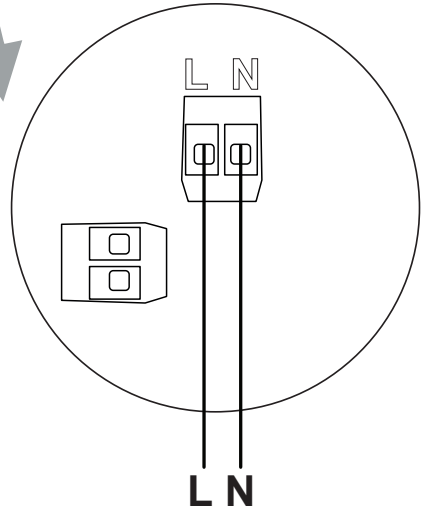
1-10V



1.3 D81P1 (120V)



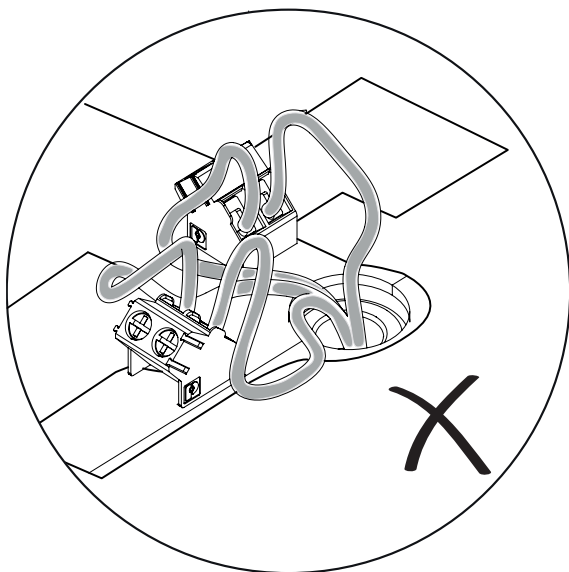
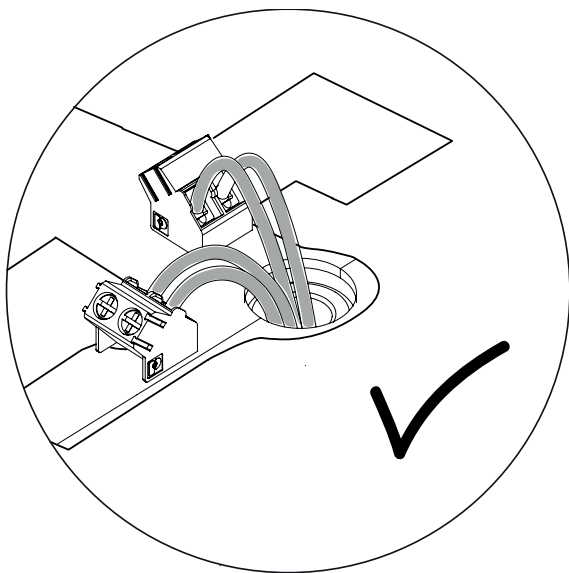
TRAILING
EDGE



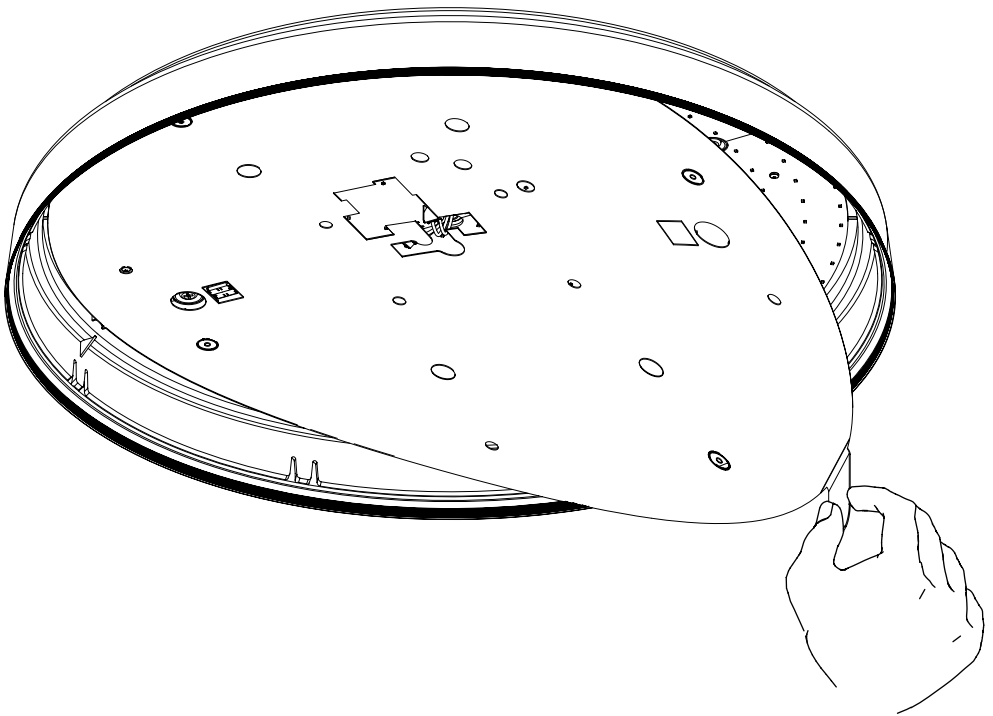
TRAILING EDGE



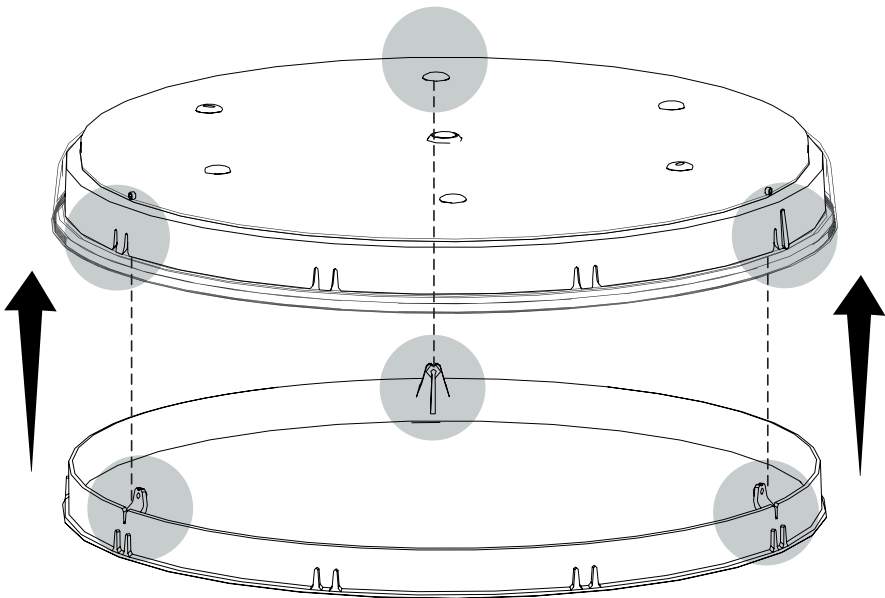
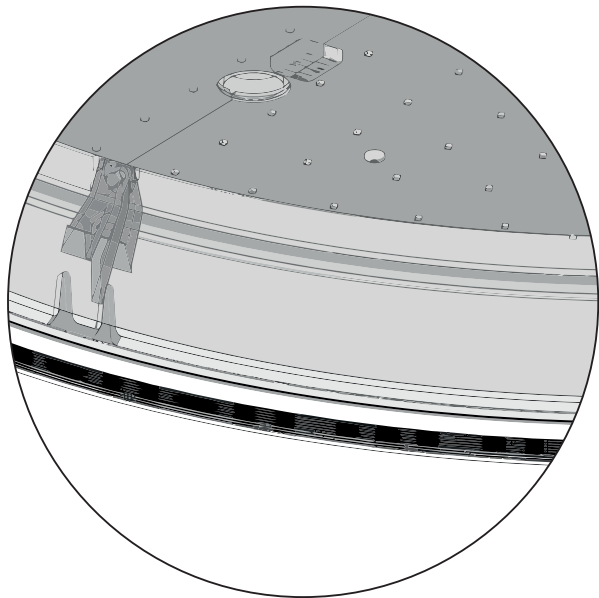
1.4



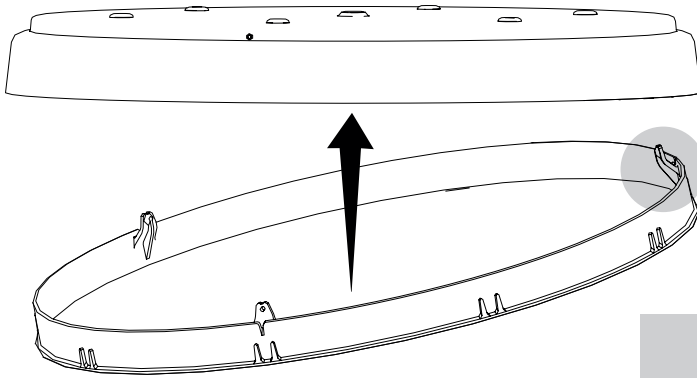
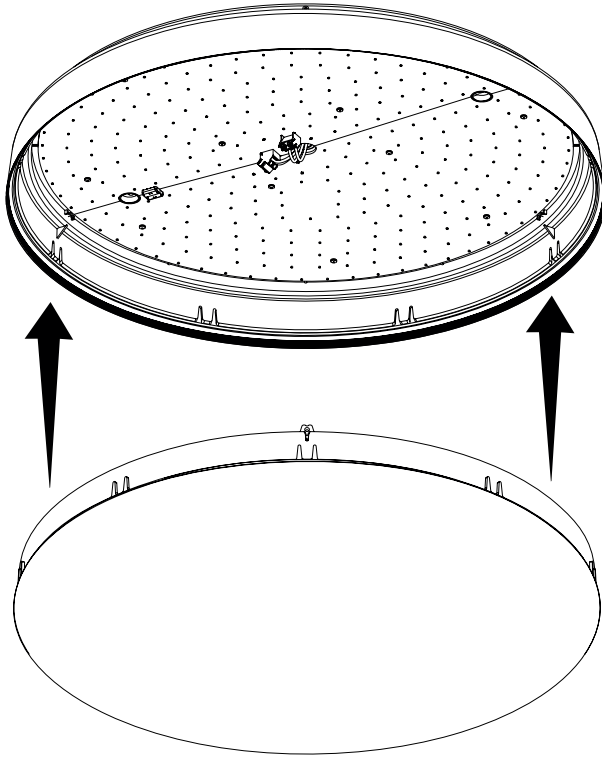
1.4



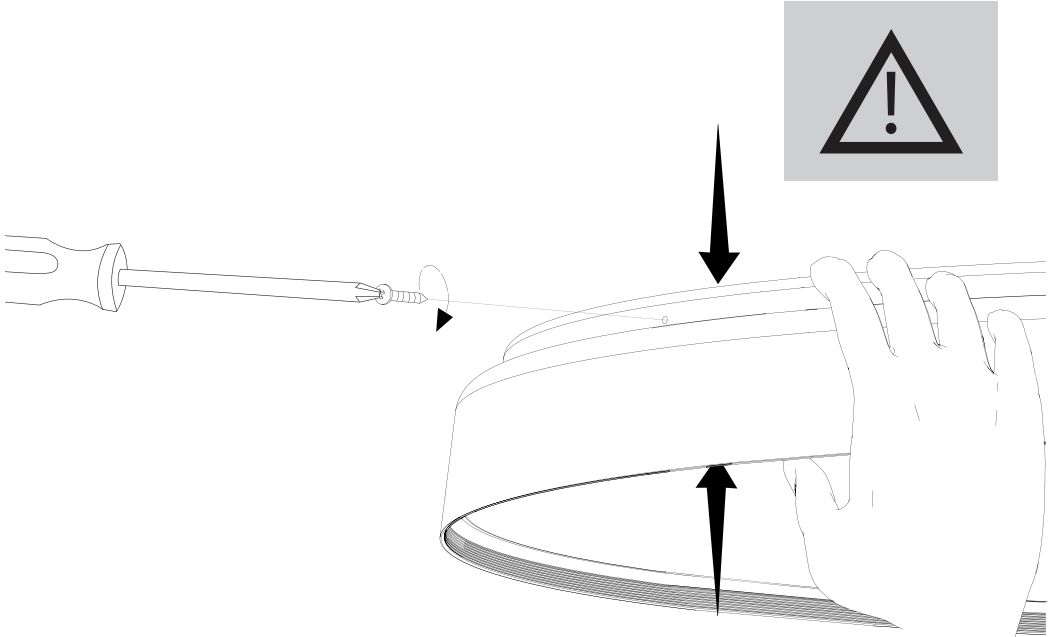
1.5



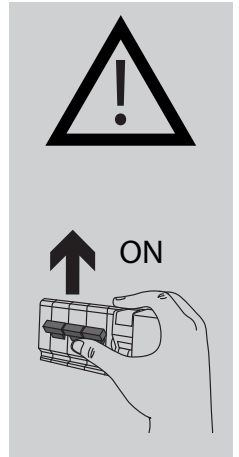
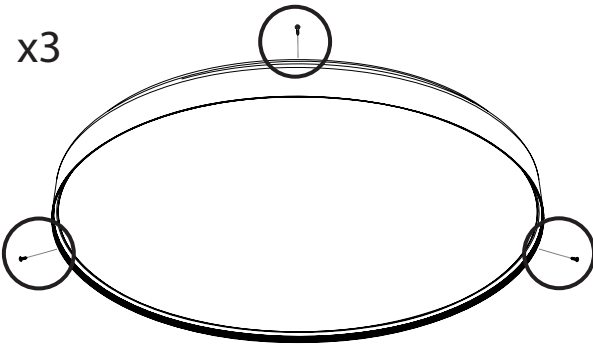
1.6



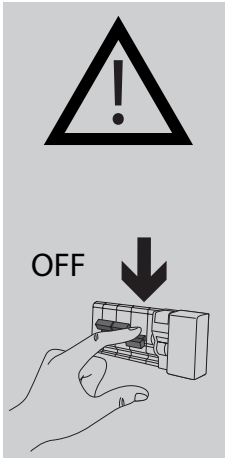
1.7



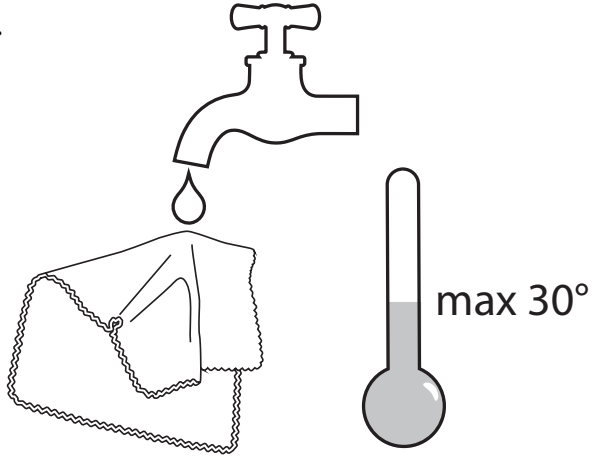
x3



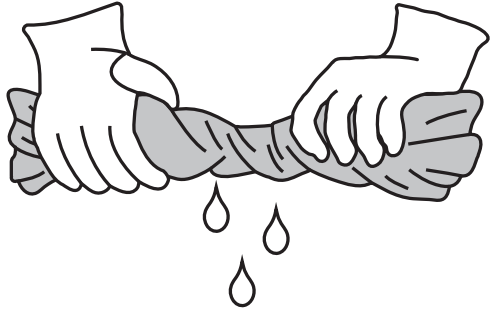
2



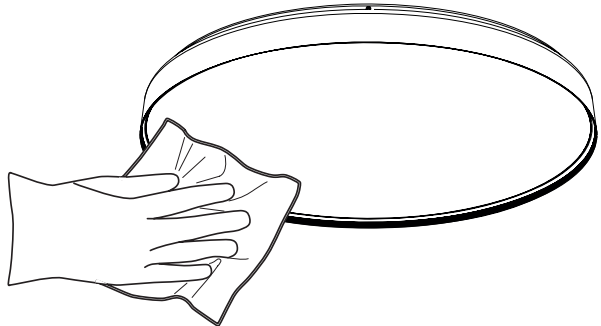
1.



2.



3.





www.luceplan.com

D810IA102