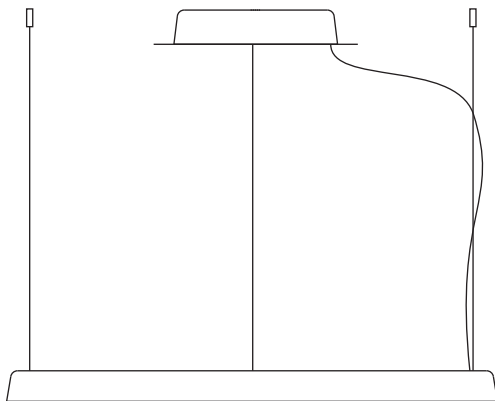


COMPENDIUM CIRCLE

design Daniel Rybakken



**LUCE
PLAN**

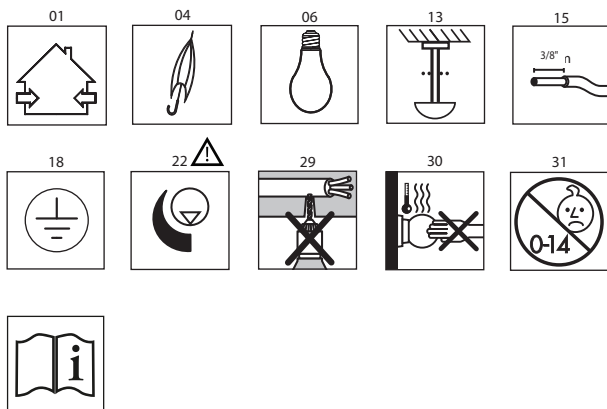
D81C



D81C07+D81/4

D81C11+D81/5

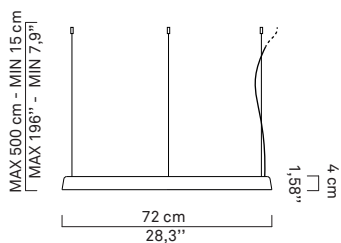
D81C20+D81/6



+ DIM 1-10V

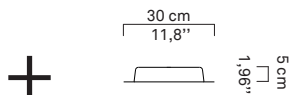
ACTIVE MODE

D81C07



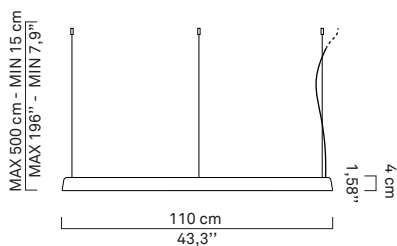
kg 1,95kg **lb** 3 lb

D81/4



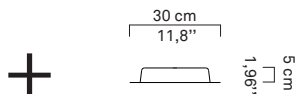
kg 0,7kg **lb** 1,54 lb

D81C11



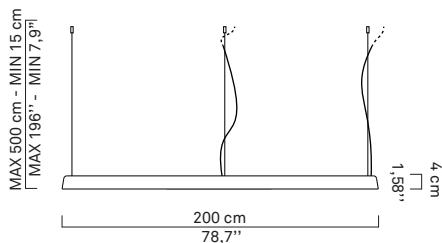
kg 3,1kg **lb** 6,8 lb

D81/5



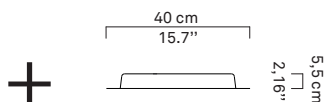
kg 1,3kg **lb** 2,86 lb

D81C20



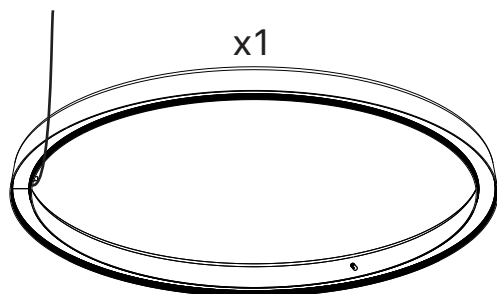
kg 6,3kg **lb** 13,9 lb

D81/6



kg 1,32kg **lb** 2,91 lb

D81C07
D81C11
D81C20



x 3



x 3



x1

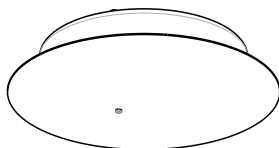


x 3



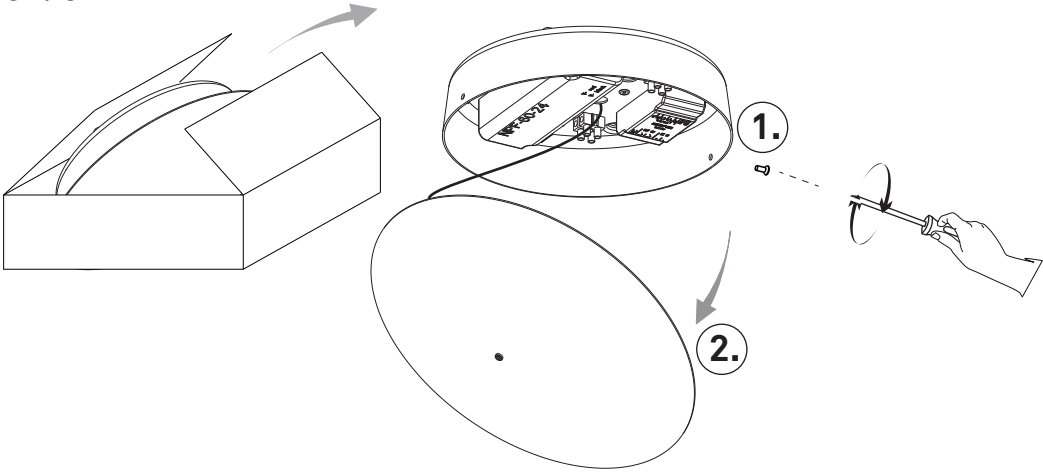
x 9

D81/4
D81/5
D81/6



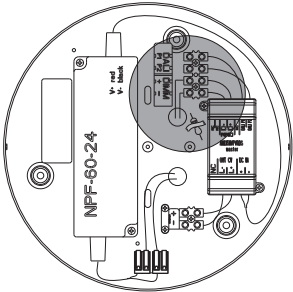
1x

D81/4
D81/5
D81/6



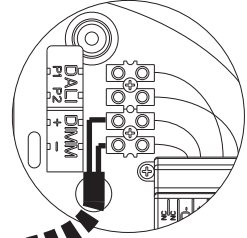
 ACTIVE MODE

+ DIM 1-10V →

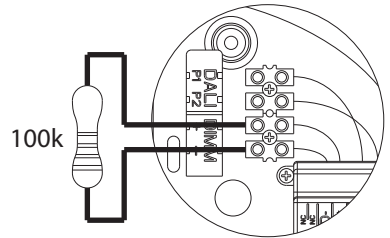
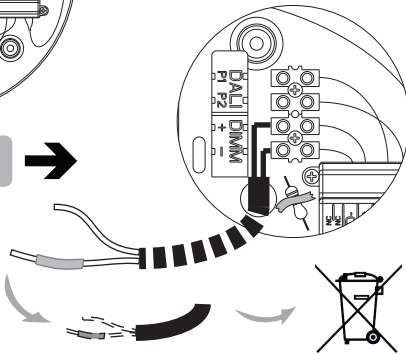


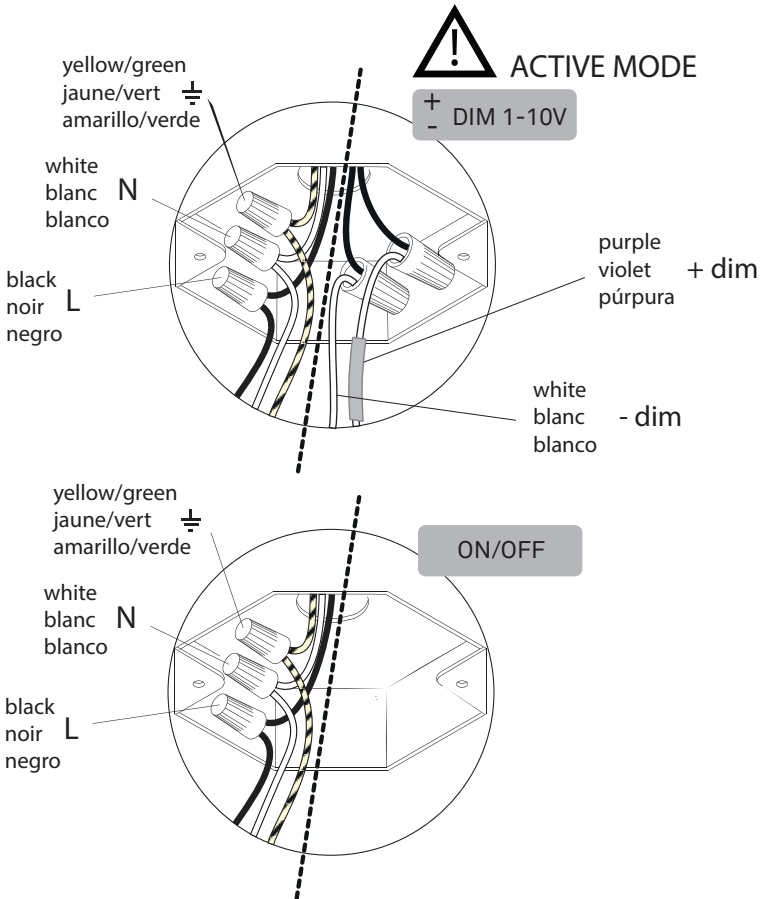
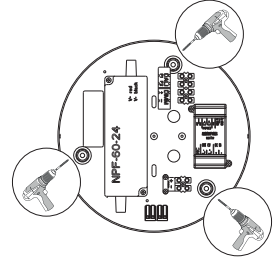
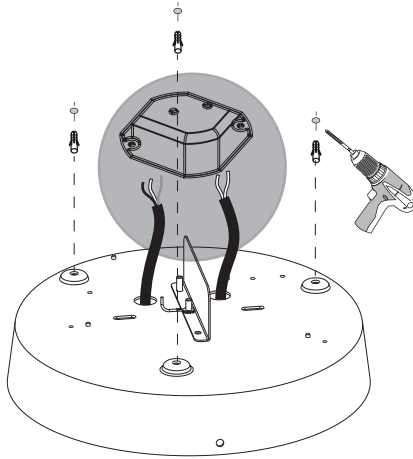
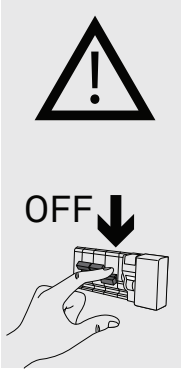
white
- dim
blanc
blanco

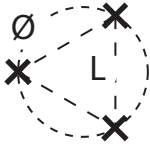
purple
+ dim
violet
púrpura





ON/OFF →

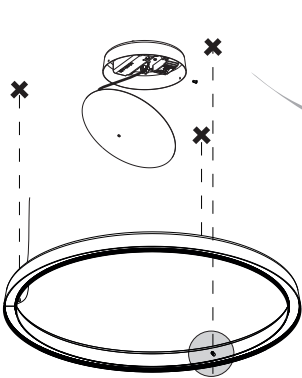
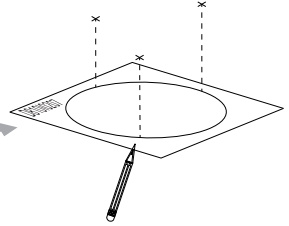




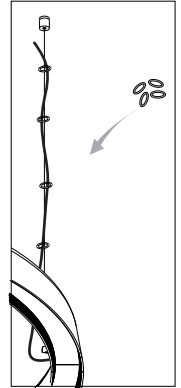
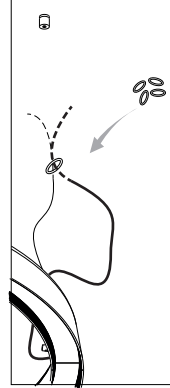
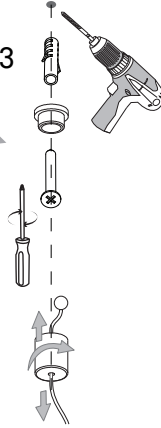


D81C07 Ø65 cm L=56 cm
 D81C11 Ø103 cm L=89 cm
 D81C20 Ø193 cm L=167 cm

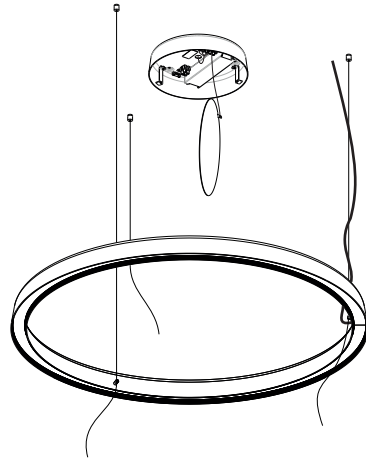
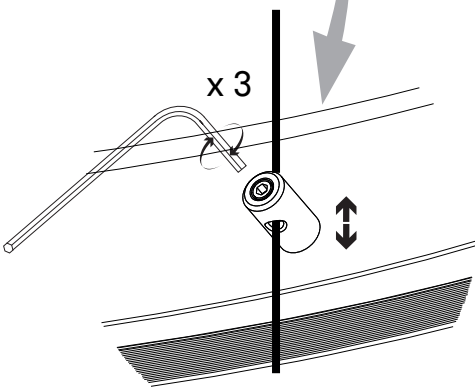
 D810I0207
 D810I0208

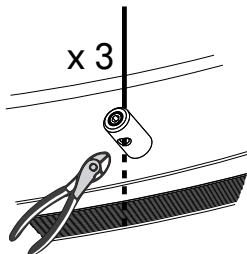
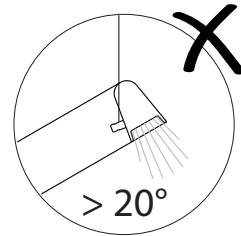
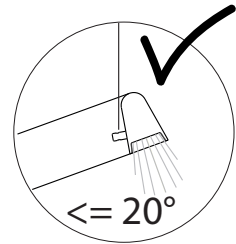
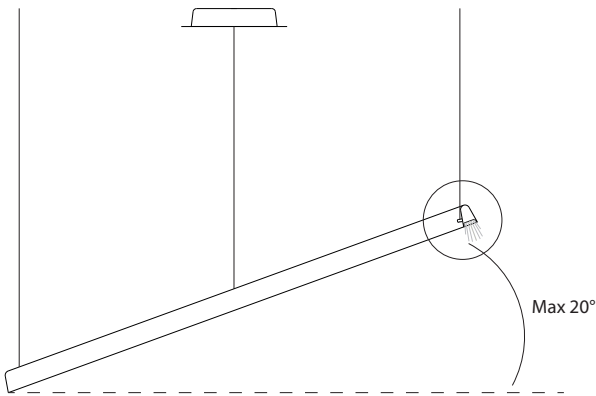
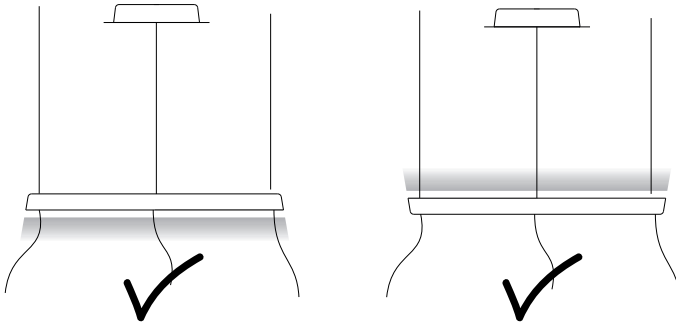


x 3

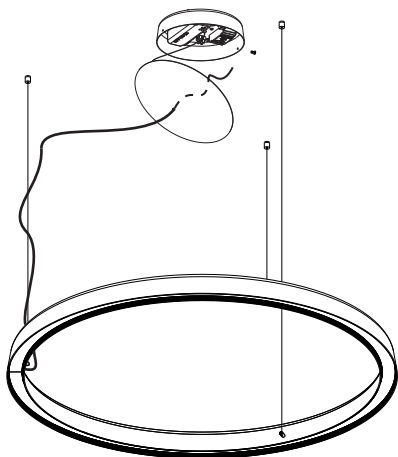


x 3

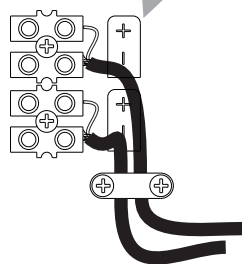
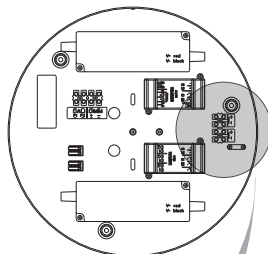
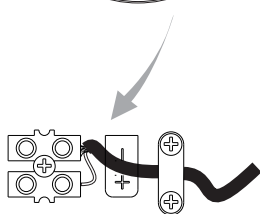
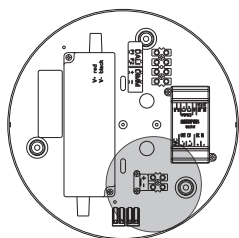
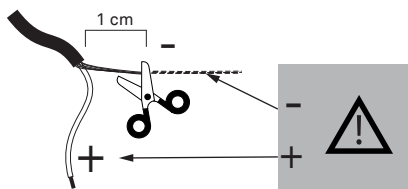
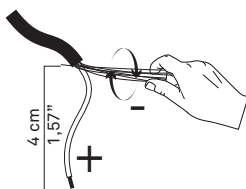
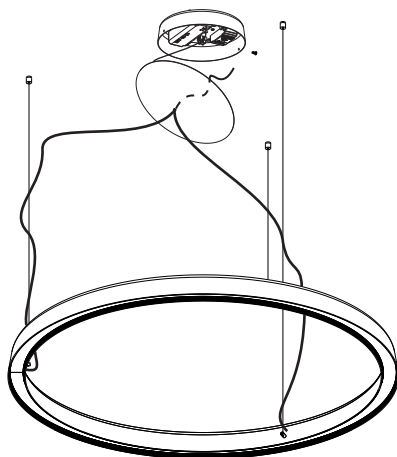


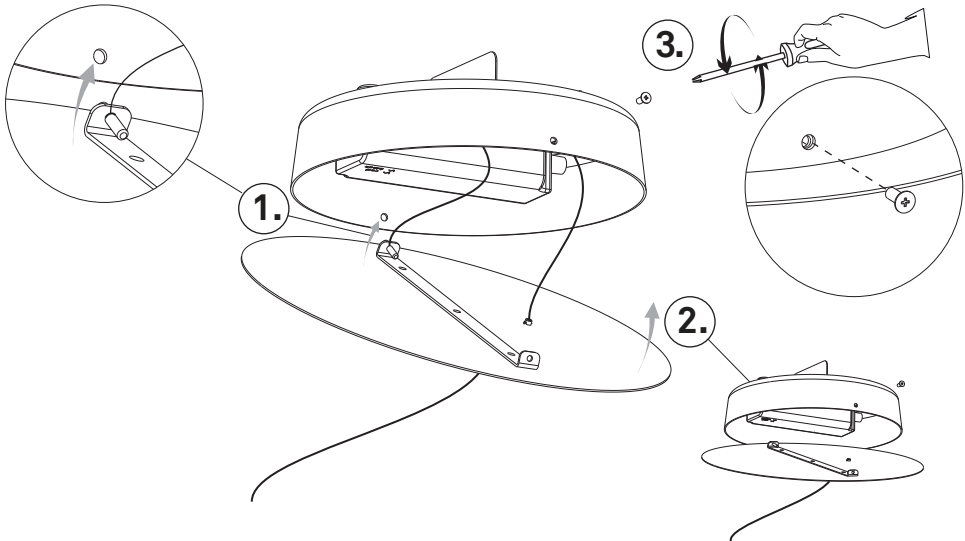
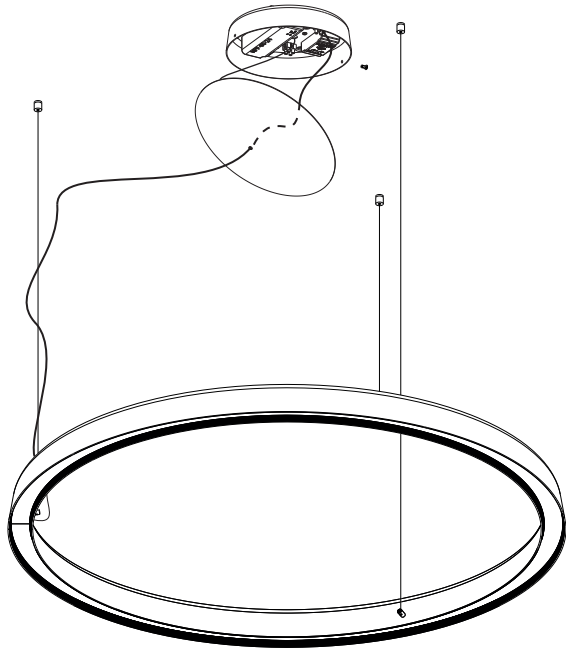


D81C07+D81/4
D81C11+D81/5

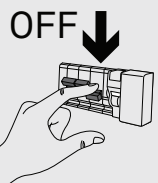


D81C20+D81/6





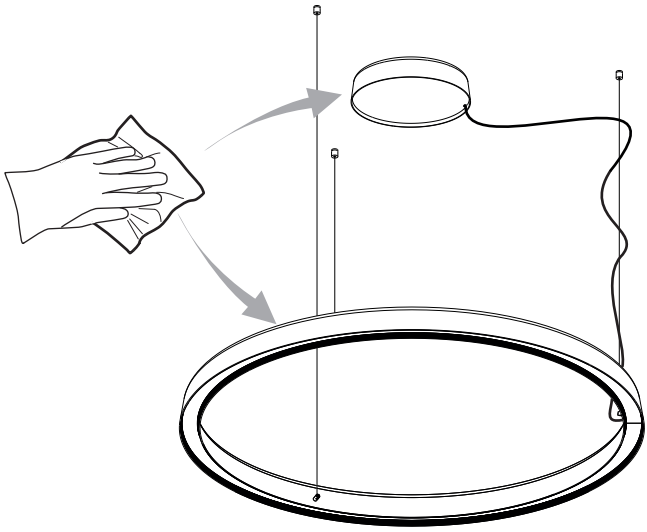
1.



2.



3.





www.luceplan.com

D810IB104