

COMPENDIUM

design Daniel Rybakken, 2014



Type: Suspension

Lamps: D81B + D81/7T LED 29W (*) 3000K EEL: A
 alu/brass: 909 lm - black: 716 lm
 D81BW + D81/7T LED 29W (*) 2700K EEL: A
 alu/brass: 849 lm - black: 669 lm
 dimmable phase cut

D81B + D81/7D LED 43W (*) 3000K EEL: A
 alu/brass: 1.289 lm - black: 1.015 lm
 D81BW + D81/7D LED 43W (*) 2700K EEL: A
 alu/brass: 1.202 lm - black: 946 lm
 dimmable push/DALI

Product use: Indoor

Materials: Profile in extruded aluminum anodized in various colors.

Colors: Black, brass, aluminum

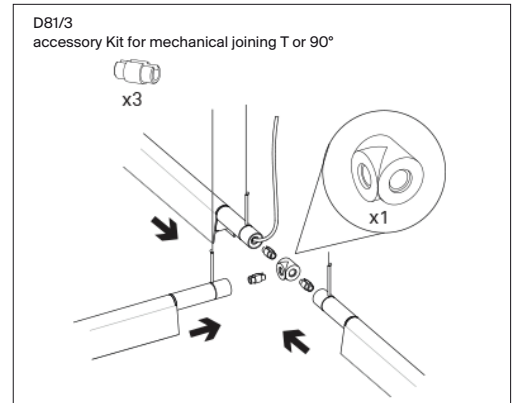
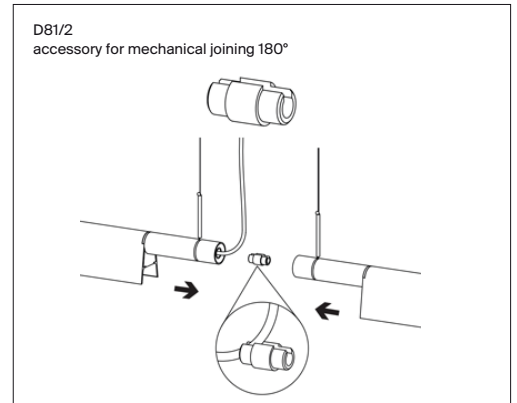
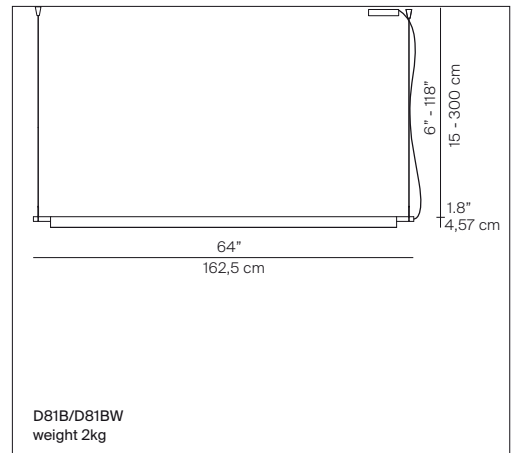
Description: Compendium stands out for the evocative graphic-sculptural impact of their slim silhouette.

Rating: 220-240 V ~ 50/60 Hz
IP20

Marking:

Reference code: Structure

D81B	1D810B000030	brass
3000K	1D810B000020	alu
	1D810B000001	black
D81BW	1D810BW000030	brass
2700K	1D810BW000020	alu
	1D810BW000001	black
Ceiling rose push/DALI		
D81/7D	1D810/7D0000	white
Ceiling rose phase cut		
D81/7T **	1D810/7T0000	white
Accessory		
	1D810/200001	black
	1D810/300001	black



** Compatible wall mounted dimmers

Supplier	Supplier References	Supplier	Supplier References
Berker	286710	Merten	5771
Drespa	433HAB	Migros	6.12 0.106
Everflourish	EFE700DC	Migros	6.12 0.109
Feller	3306.24.s.fmi.61	Niko	310-02800
Feller	40300.rc.fmi.61	N&L	28985
GIRA	30700	Opus	852.352
Hager	Kallysto (WH 20 30 08 00 A)	Peha	433HAB
Hager	Kallysto (WH 20 30 08 00 C)	Schneider electric	ATD315
KOPP	8078	Schneider electric	LTD450 RC/RL
Legrand	67084 Celiane	Siemens	5TC8 284
Legrand	78401 Mosaic	Varilig ht	IDQI401MS
Lutron	RNSU-452	Wuyun	W13-C162

(*) The LED lamps cannot be changed in the luminaire.
Power consumption by device