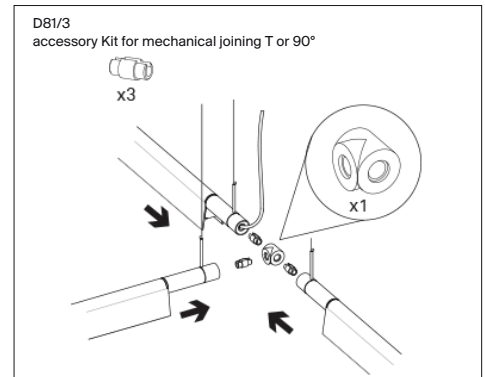
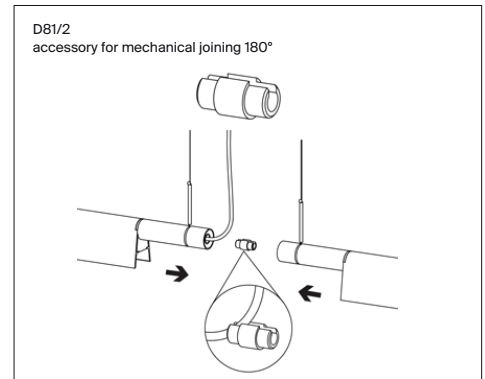
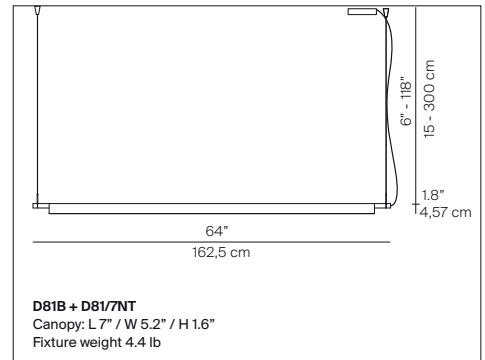


COMPENDIUM

design Daniel Rybakken, 2014



- Type: Suspension
- Lamps: LED 43W 2700 or 3000K CRI 90
 dimmable 0-10V @ 120/277V~
 dimmable trailing edge and leading edge only @ 120V~
 black finish: 1015 lm
 alu/brass finishes: 1290 lm
- Product use: Indoor
- Materials: Profile in extruded aluminum anodized in various colors.
- Colors: Black, brass, aluminum
- Description: Compendium stands out for the evocative graphic-sculptural impact of their slim silhouette.
- Marking:
- Reference code: Structure at 3000K
 D81B 1D810B000030 brass
 1D810B000020 alu
 1D810B000001 black
 Structure at 2700K
 D81BW 1D810BW000030 brass
 1D810BW000020 alu
 1D810BW000001 black
- Canopy
 D81/7NT 1D81N/7T0500 white (NEW)
- Accessory
 1D810/200001 black
 1D810/300001 black



(*) The LED lamps cannot be changed in the luminaire.
 Power consumption by device