


COMPENDIUM PLATE

design Daniel Rybakken

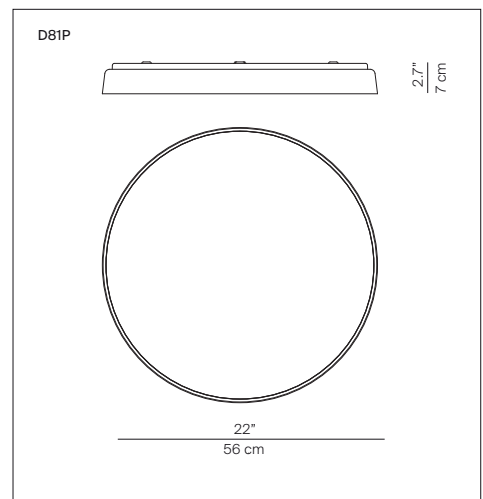
**LUCE
PLAN**

- Type: Ceiling/wall
- Lamps: LED 68W⁽¹⁾ 3000K CRI 90
dimmable 0-10V
- Product use: Indoor
- Materials: Brushed aluminum, injected thermoplastics
- Colors: Black, brass, aluminium
- Description : The external profile in brushed extruded aluminium conserves the slim original thickness, creating a surface almost flush with the wall. In spite of its extremely slender design, Compendium Plate provides extraordinary lighting efficiency combined with a clean form and extreme elegance.

Certification: 

Reference code: Structure

D81P	1D810P100520	alu
	1D810P100501	black
	1D810P100530	brass



⁽¹⁾ The LED lamps cannot be changed in the luminaire.
Power consumption by device

