

# E04 wall

design Habits Studio

**LUCE  
PLAN**

Type:	wall
Lamps*:	LED module COB or dim to warm EEL: A++ dimmable push/DALI LED optic retrofit dimmable phase cut EEL: A++/A+/A
Product use:	indoor
Materials:	aluminium extrusion cylindrical body
Colors:	matt white, matt black, matt alu, matt brass
Description:	The cylindrical body connects smoothly to architectural surfaces. Various optics permit a wide range of lighting solutions for multiple contexts.

Insulation class:   

Reference code:	Structure
<b>E04240</b> 1E0400240001	matt black
1E0400240002	matt white
1E0400240020	matt alu
1E0400240030	matt brass

Optics for E04240 Ø 7 cm

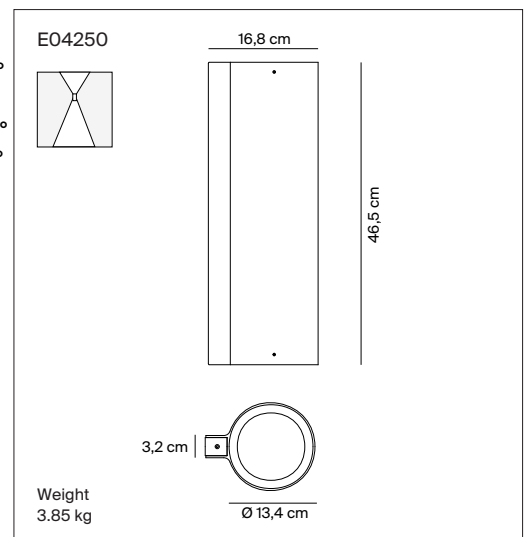
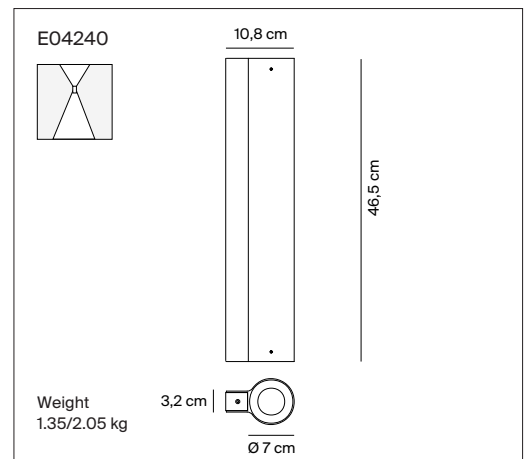
<b>E041M</b> 1E040/1M0000	COB LED module 12W 2700K / CRI 90 / 702 lm / 45°
<b>E041W</b> 1E040/1W0000	COB LED module 12W 2700K / CRI 90 / 703 lm / 60°
<b>E043M</b> 1E040/3M0000	DTW LED module 13W 3000K / CRI 97 / 700 lm / 30°
<b>E043W</b> 1E040/3W0000	DTW LED module 13W 3000K / CRI 97 / 683 lm / 42°
<b>E041R</b> 1E040/1R0000	LED max 20W retrofit GU10

Reference code:	Structure
<b>E04250</b> 1E0400250001	matt black
1E0400250002	matt white
1E0400250020	matt alu
1E0400250030	matt brass

Optics for E04250 Ø 13,4 cm

<b>E042M</b> 1E040/2M0000	COB LED module 19W 2700K / CRI 90 / 1.030 lm / 45°
<b>E042W</b> 1E040/2W0000	COB LED module 19W 2700K / CRI 90 / 1.166 lm / 56°
<b>E044M</b> 1E040/4M0000	DTW LED module 20W 3000K / CRI 97 / 1.262 lm / 32°
<b>E044W</b> 1E040/3W0000	DTW LED module 20W 3000K / CRI 97 / 1.212 lm / 46°

<b>E042R</b> 1E040/1R0000	LED max 20W retrofit G53
<b>E0401</b> 1E040/010001	top cover to use with retrofit optic



**Warning:**  
with G53 optics, single emission only