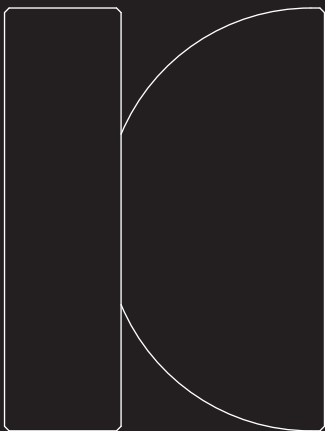


NUI

design Meneghello Paoletti

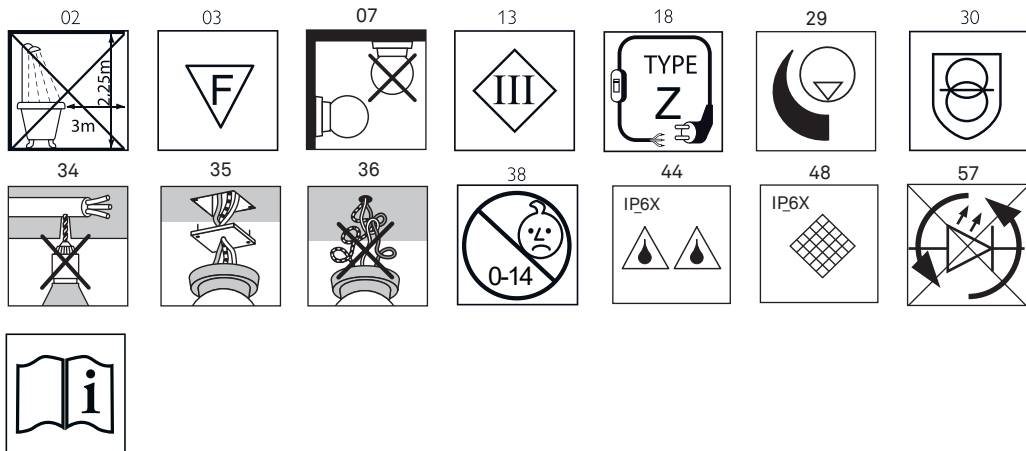



**LUCE
PLAN**

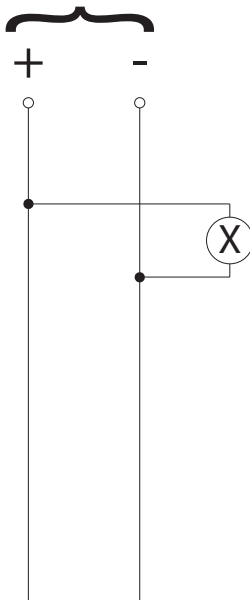
A02



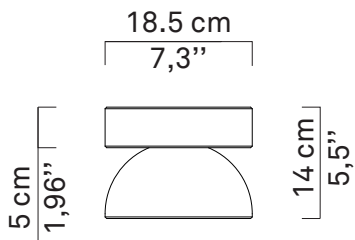
A02TD1



1 X
24V == SELV min 16W



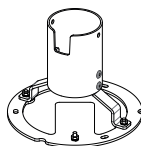
A02TD1



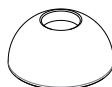
X1



X1



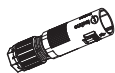
X1



X1



X1



X1



X1

D94/1

SELV



24V

IP20

Push/Dali

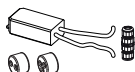
A02/2

SELV



24V

IP67

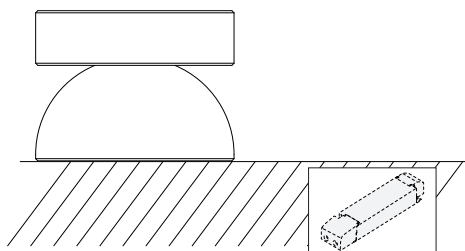


On/Off

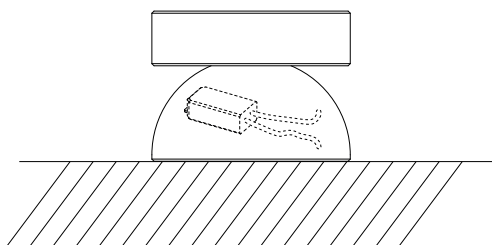
kg 4,60kg

lb 10,14lb

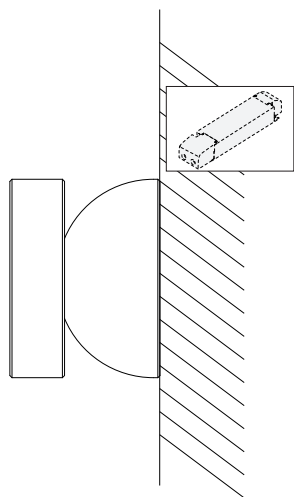
1 a



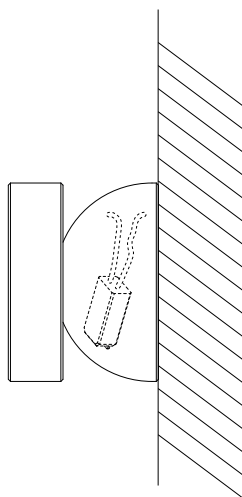
1 b



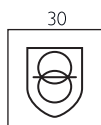
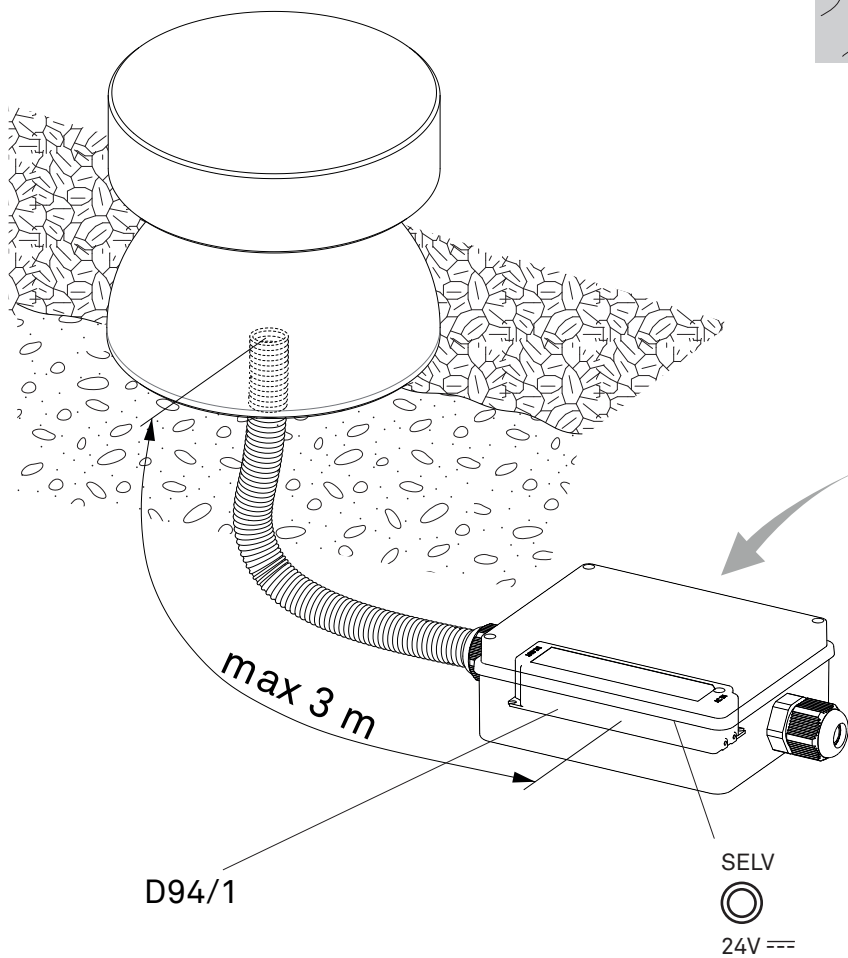
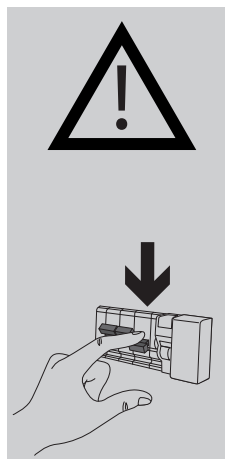
1 c



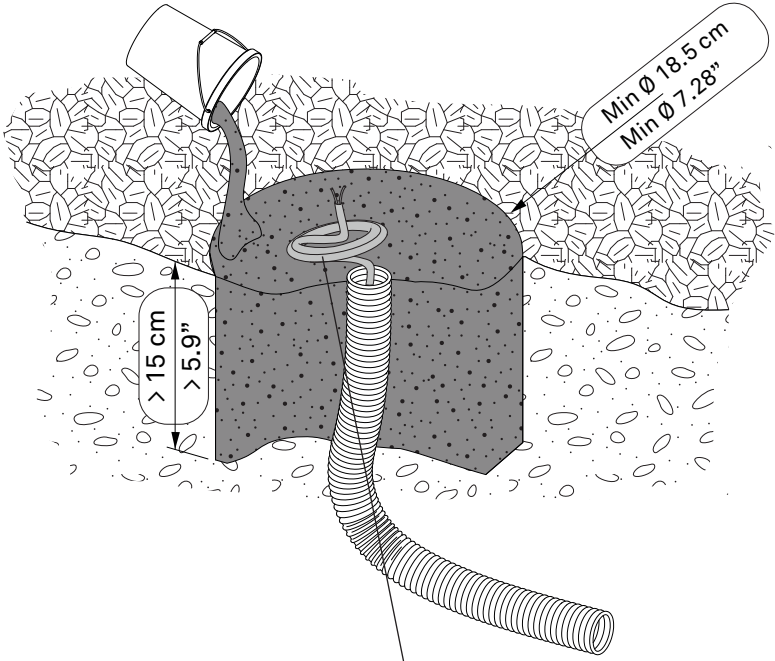
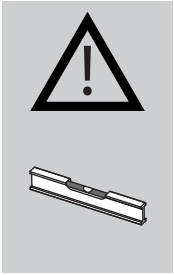
1 d



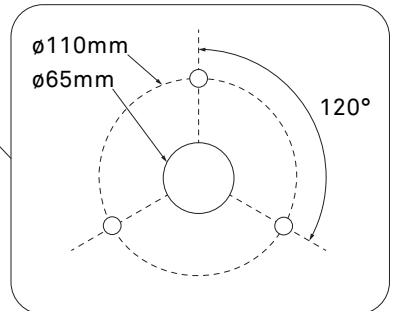
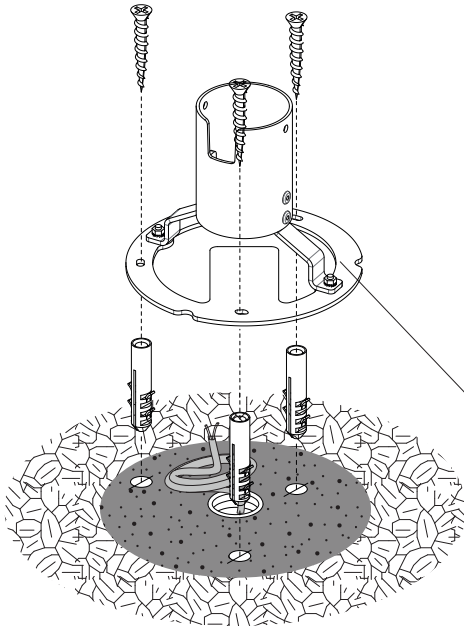
1 a A02TD1



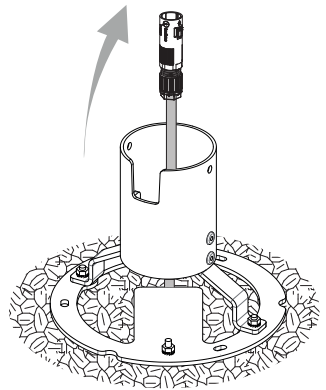
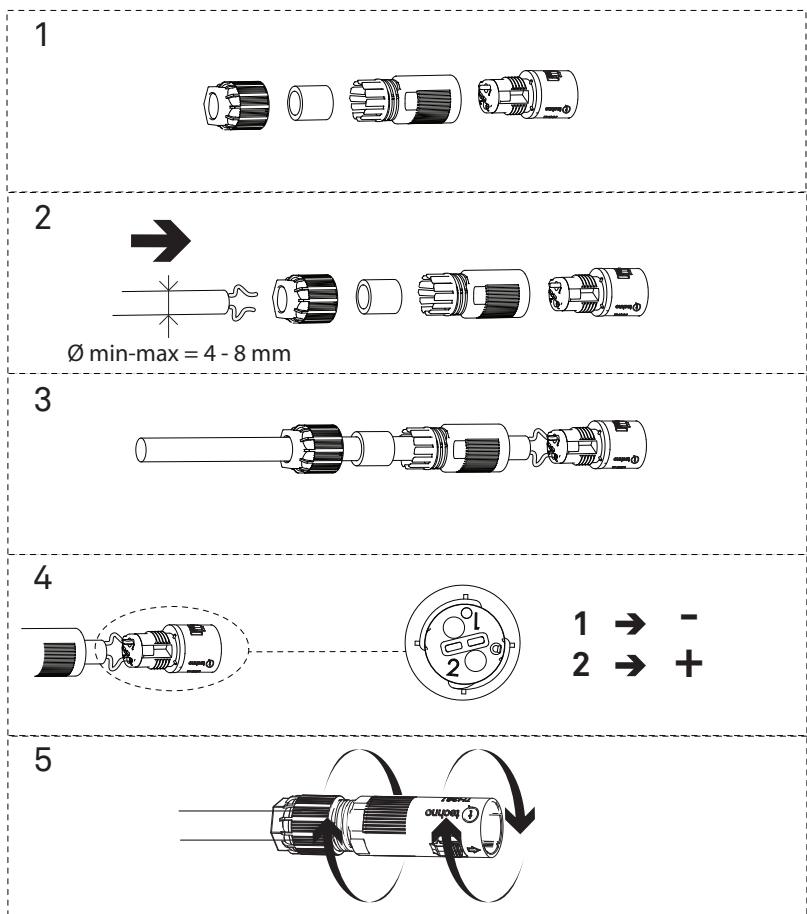
1.1a



H05RN-F 2 x 0.75 mmq
Min 150mm



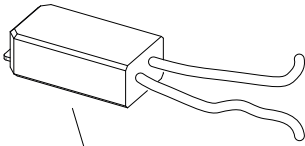
1.2a



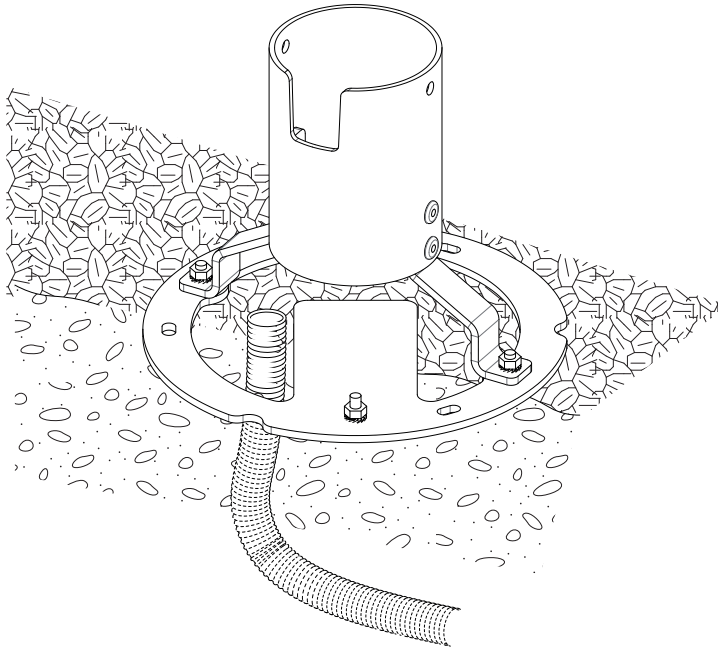
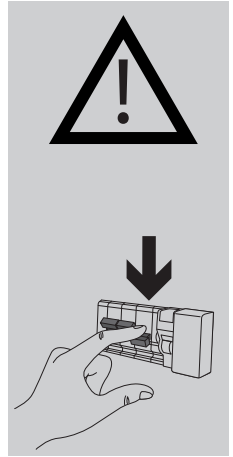
➔ Pag.15

1 b A02TD1

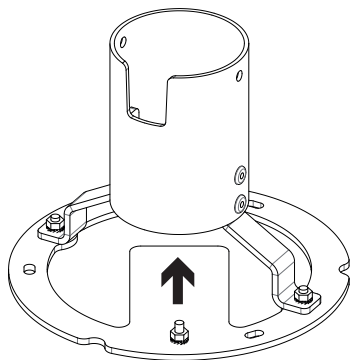
SELV
24V \equiv
IP67



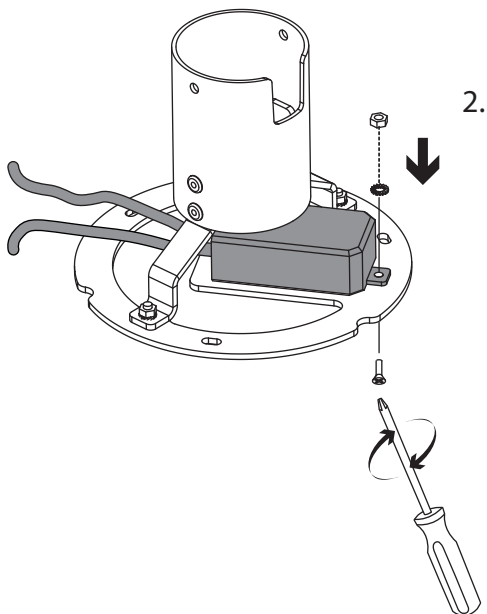
A02/2



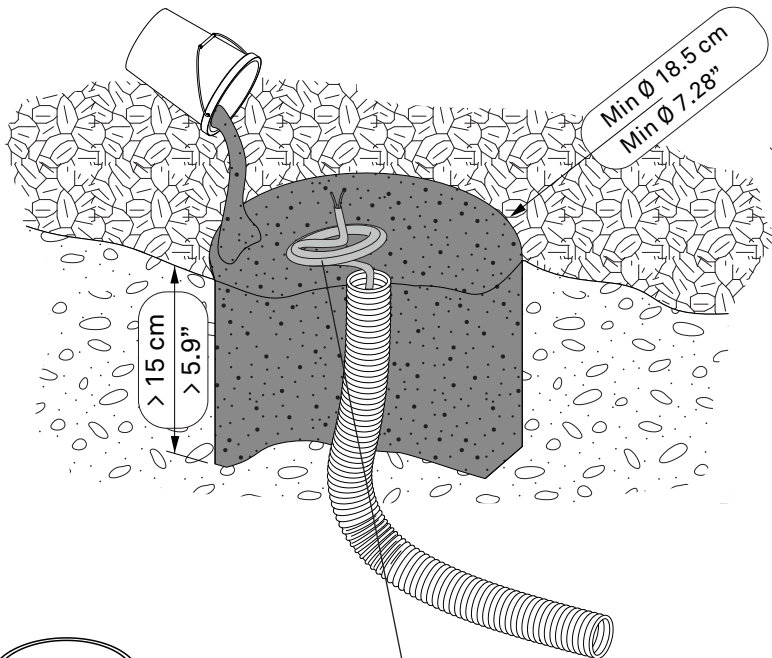
1.1b A02TD1 + A02/2



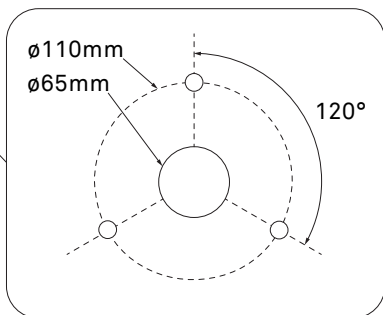
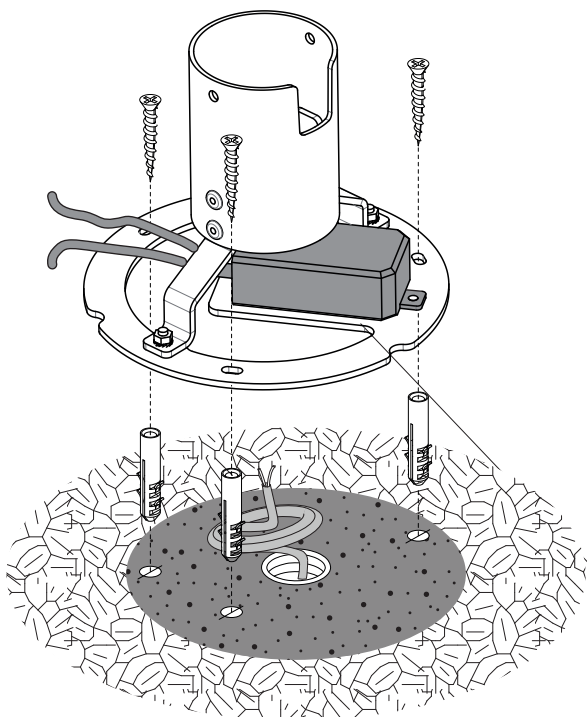
1.



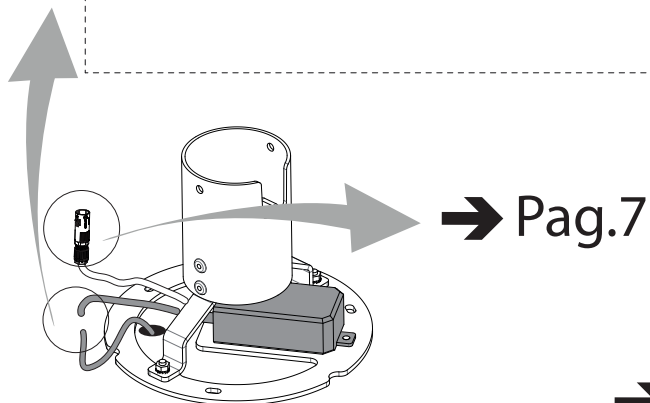
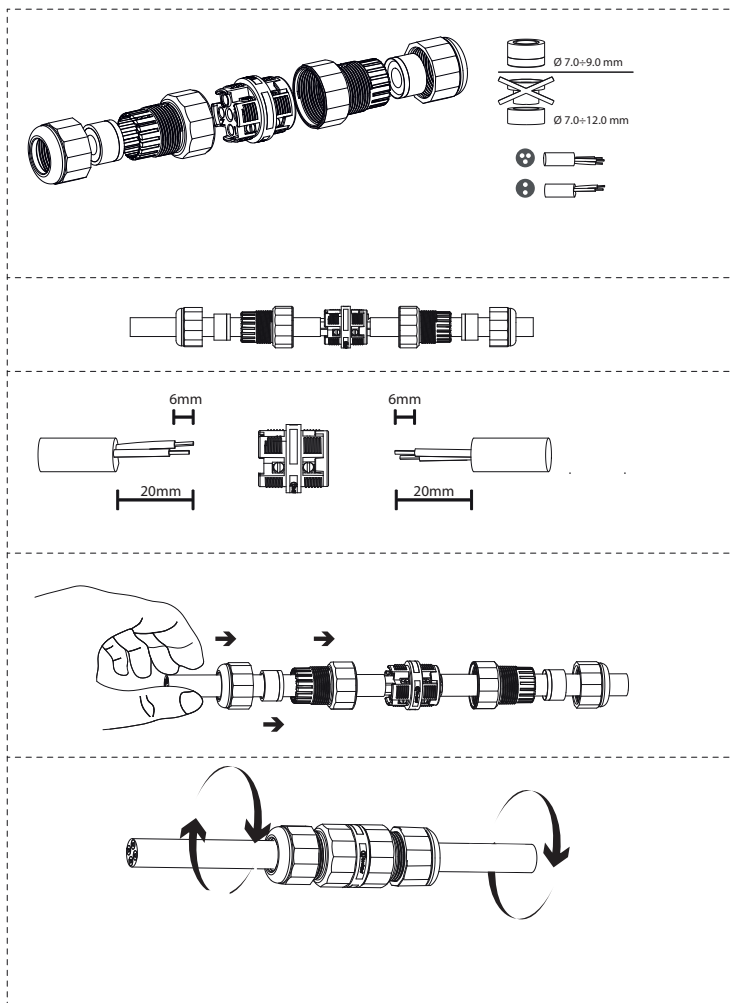
1.2b



H05RN-F 2 x 0.75 mmq
Min 150mm



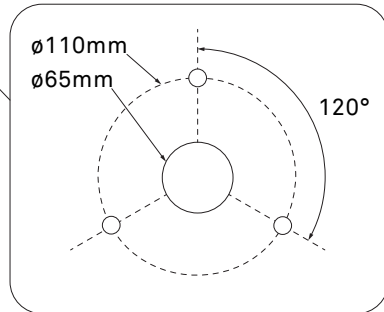
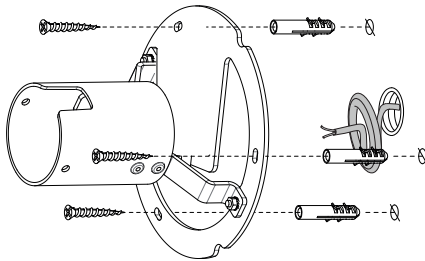
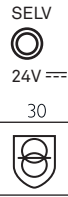
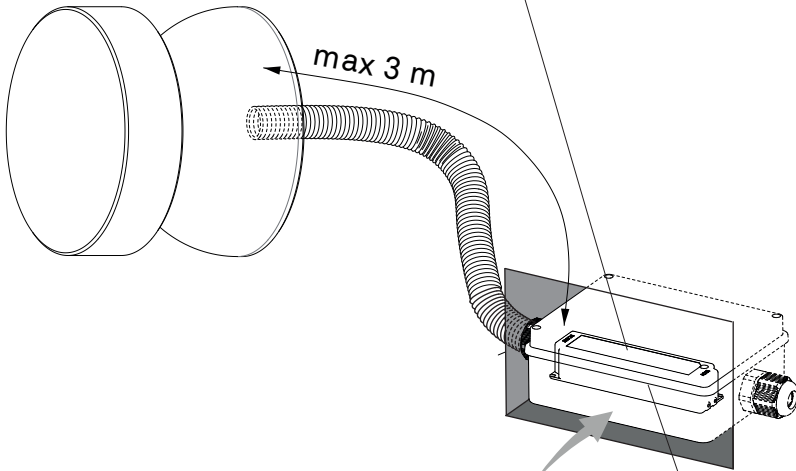
1.3b



➔ Pag.15

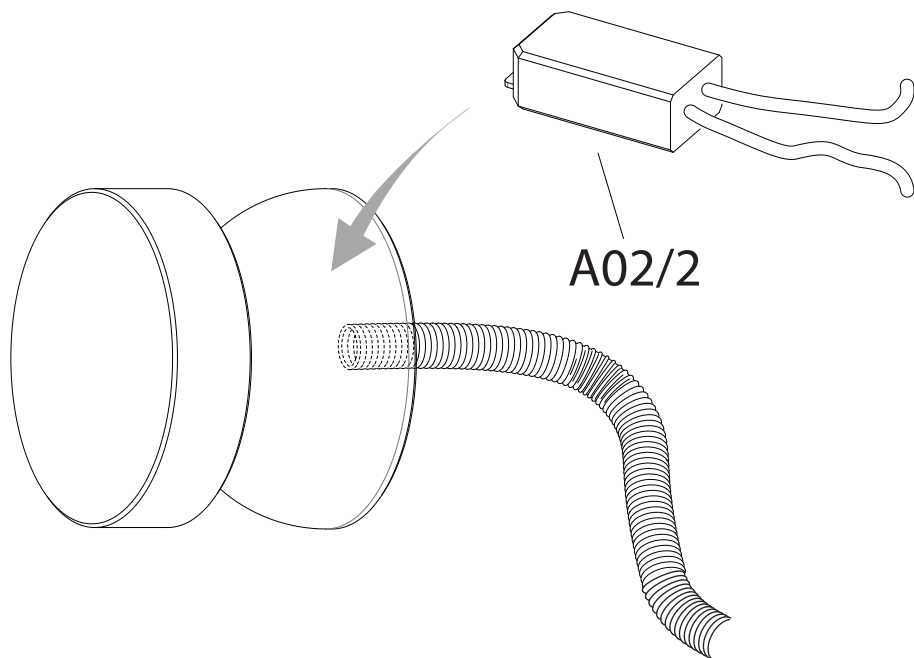
1 c | A02TD1

D94/1

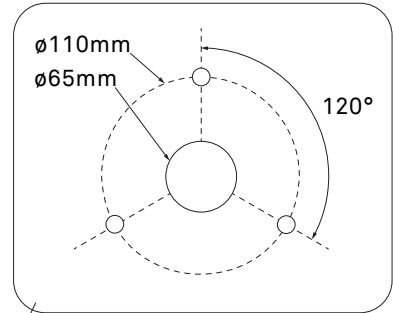
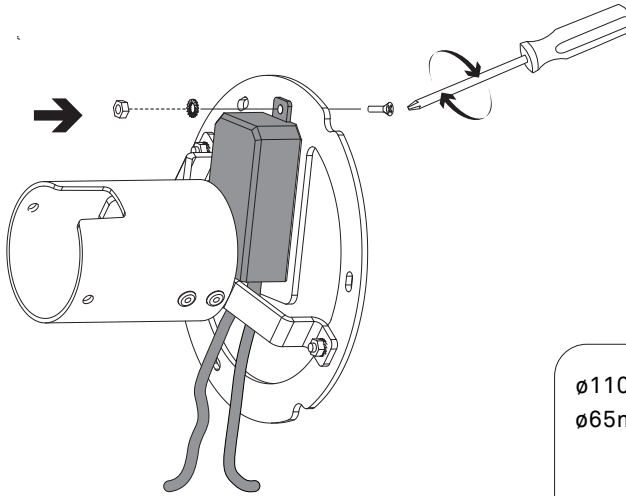


➔ Pag.7

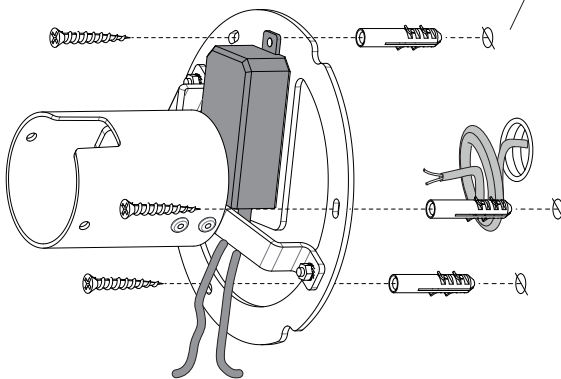
1 d | A02TD1 +A02/2



1.1d

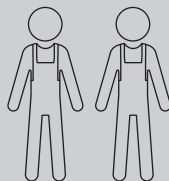
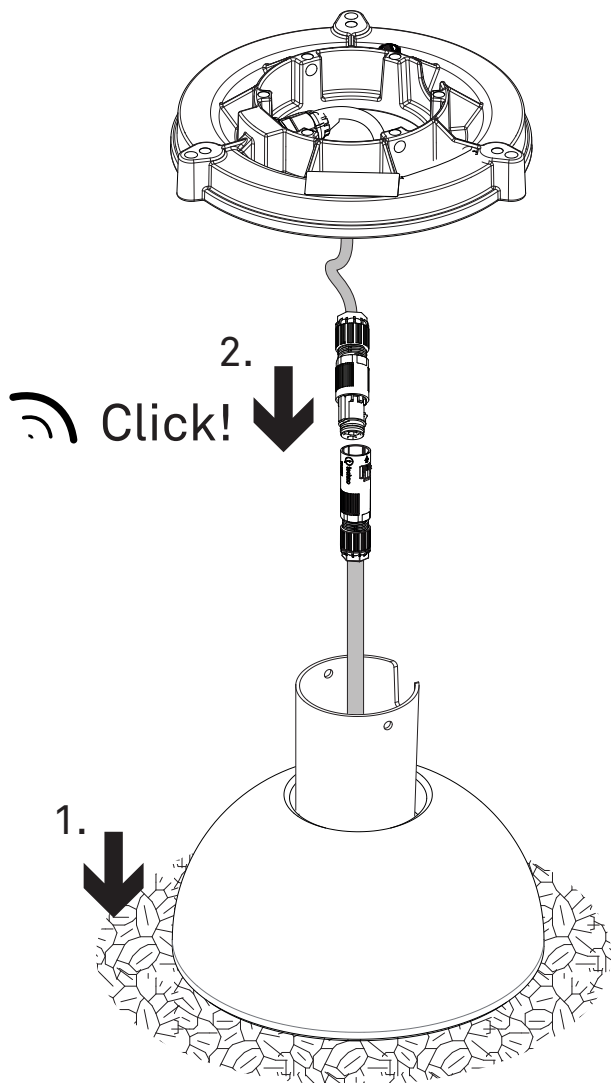


1.2d

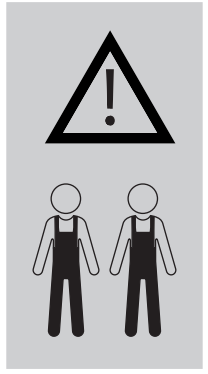
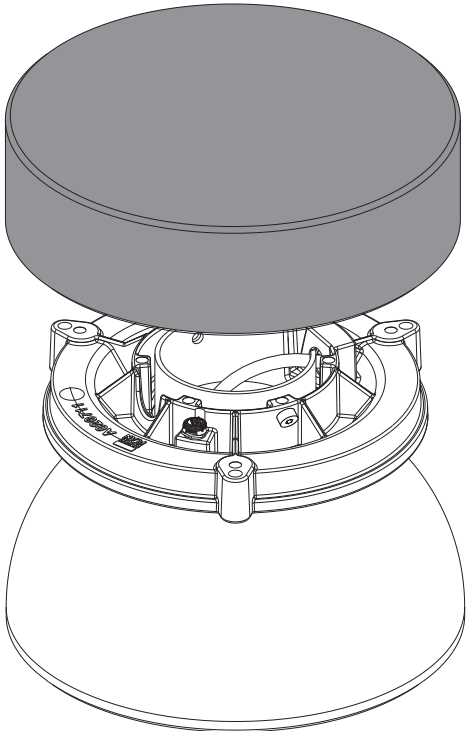
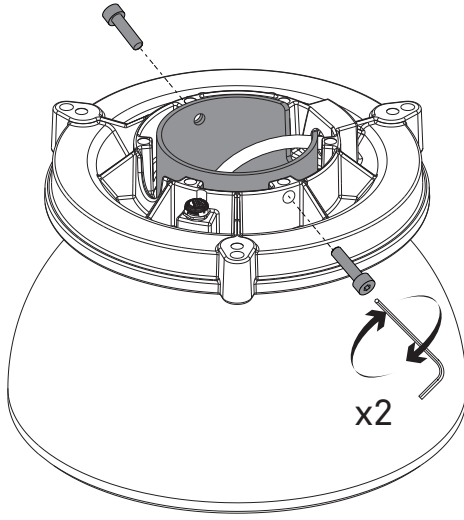


➔ Pag.11

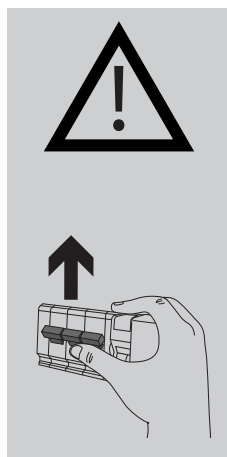
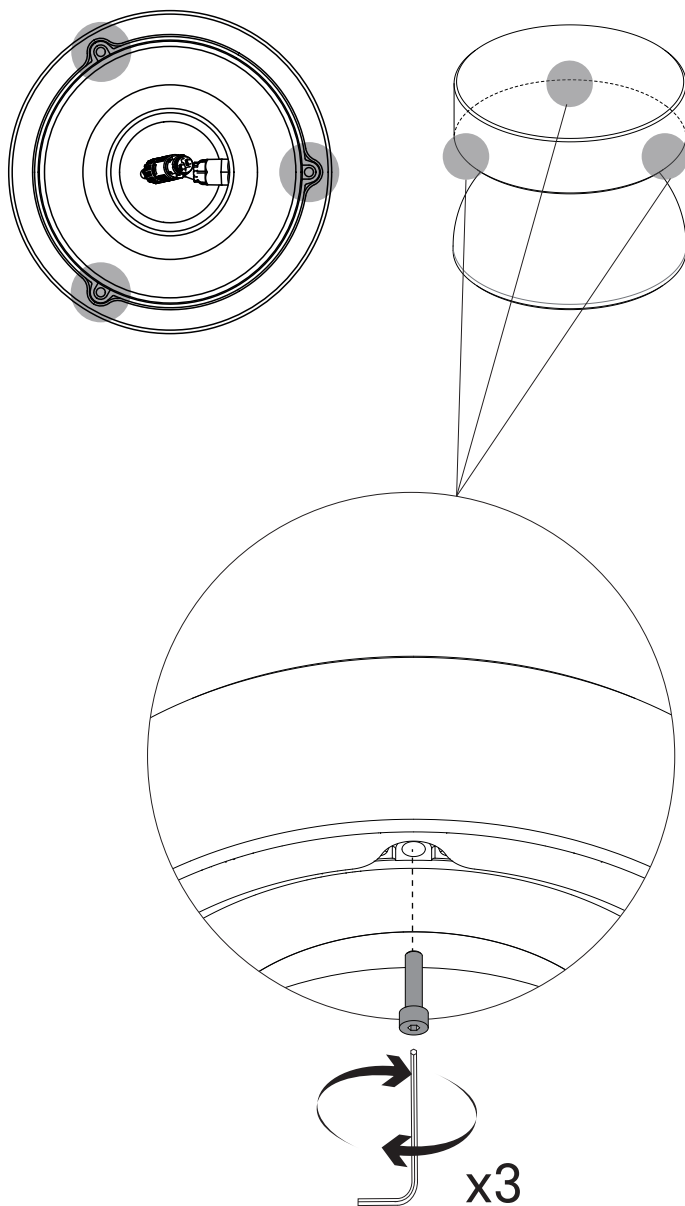
2

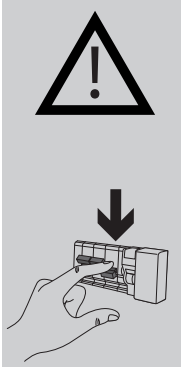


3

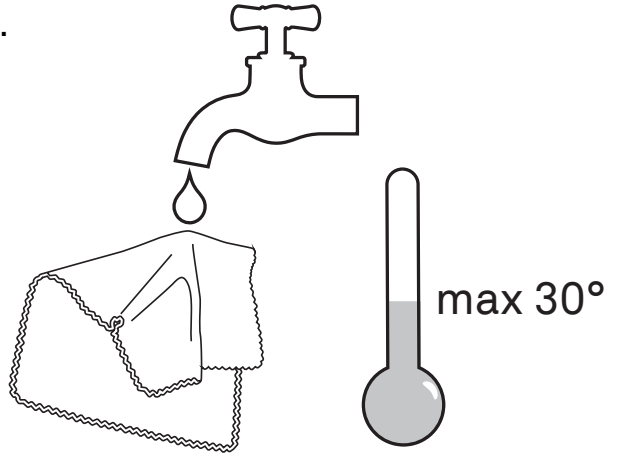


3.1





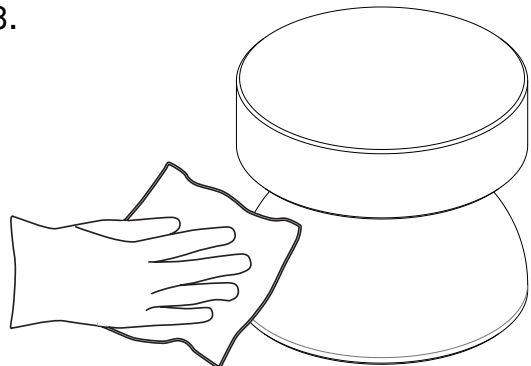
1.



2.



3.





www.luceplan.com

A02010004