

Flia

Design Alessandro Zambelli



Type: Floor outdoor
 Light source: LED module 2,5W 3000K CRI 90 178 lm
 LED module 5W 3000K CRI 90 (2 stems) 356 lm
 LED module 7,5W 3000K CRI 90 (3 stems) 534 lm
 available with:
 on/off LED remote driver ⁽¹⁾
 dimmable push/DALI remote driver ⁽¹⁾

Product use: Outdoor

Materials: Stem: carbon fiber
 Head: aluminium
 Base: stainless steel
 Picket: zinc plated steel

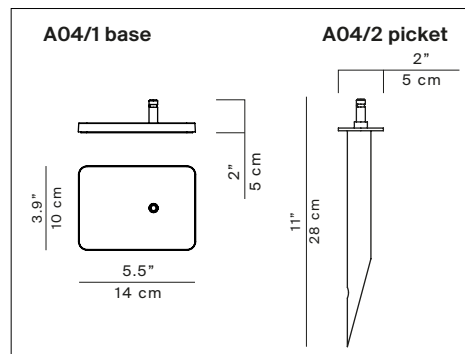
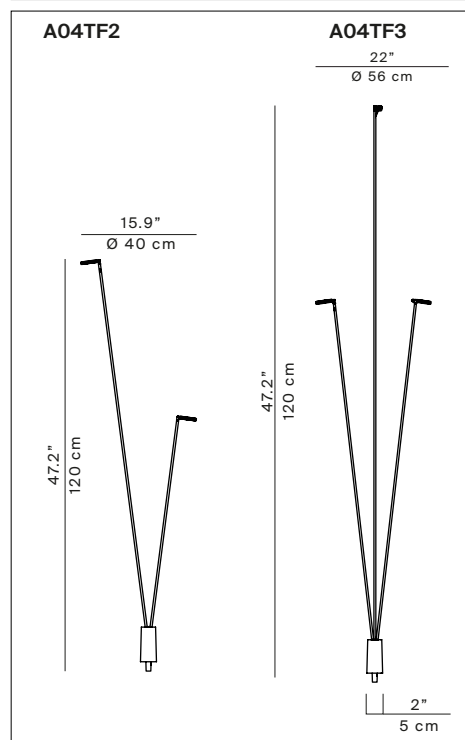
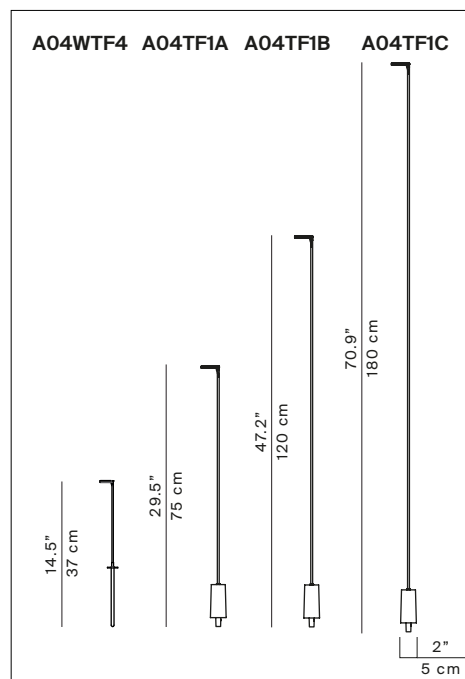
Colors: Matt black

Description: The Flia family of outdoor floor lamps stands out for its ability to combine technological aspects with rigorous expressive forms. The miniaturization of the light source – a key factor of the project – is possible thanks to the use of LED technologies. The carbon stem is supported by a cylinder that contains the core elements and grants the lamp strength, lightness and flexibility.

Insulation class and mark: IP65 IK03

Rating: A04WTF1A/A04WTF1B/A04WTF1C/A04WTF4+A04/3-A04/4
 220-240 V ~ 50/60 Hz, 5.5W
 A04TF1A/A04TF1B/A04TF1C+A04/3-A04/4
 220-240 V ~ 50/60 Hz, 5.5W
 A04WTF2/A0WTF2+A04/3-A04/4
 220-240 V ~ 50/60 Hz, 8W
 A04WTF3/A0TF3+A04/3-A04/4
 220-240 V ~ 50/60 Hz, 10.5W

Reference code: **single structure 3000K** (remote driver not included)
 A04WTF1A 1A04WTF1A001 h 75 cm
 A04WTF1B 1A04WTF1B001 h 120 cm
 A04WTF1C 1A04WTF1C001 h 180 cm
multiple structure 3000K (remote driver not included)
 A04WTF2 1A04WTF20001 (h 75 + 120 cm)
 A04WTF3 1A04WTF30001 (2x h 120 + 1x h 180 cm)
single structure 4000K (remote driver not included)
 A04TF1A 1A04TF1A001 h 75 cm
 A04TF1B 1A04TF1B001 h 120 cm
 A04TF1C 1A04TF1C001 h 180 cm
multiple structure 4000K (remote driver not included)
 A04TF2 1A04TF20001 (h 75 + 120 cm)
 A04TF3 1A04TF30001 (2x h 120 + 1x h 180 cm)
structure with picket 3000K (remote driver not included)
 A04WTF4 1A04WTF40001 (h 37)
base
 A04/1 1A040/010001
picket
 A04/2 1A040/020001
remote drivers ⁽¹⁾
 (the junction box is recommended watertight IP68)
 A04/3 1A040/030000 driver on/off
 A04/4 1A040/040000 driver push/DALI



Flia

Design Alessandro Zambelli



**LUCE
PLAN**

Type: Complete floor lamp portable, rechargeable

Light source: LED module 2,5W 3000K CRI 90 178 lm
5V dc USB-C ^(*)
dimmer on board

Product use: Outdoor/indoor

Materials: Stem: carbon fiber
Head: aluminium
Base: aluminium

Colors: Matt black

Description: The Flia family of outdoor floor lamps stands out for its ability to combine technological aspects with rigorous expressive forms. The miniaturization of the light source – a key factor of the project – is possible thanks to the use of LED technologies. The carbon stem is supported by a cylinder that contains the core elements and grants the lamp strength, lightness and flexibility.

Insulation class and mark:    **IP65 IK03**

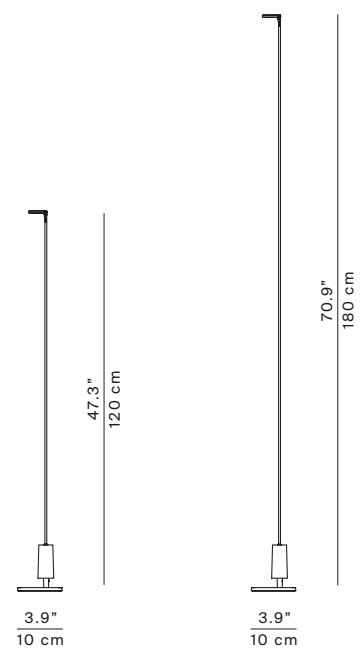
Rating: 1100-240 V ~ 50/60 Hz, 5W

Reference code: A04TP1B 1A040TP1B001 h 120 cm
A04TP1C 1A040TP1C001 h 180 cm



A04TP1B

A04TP1C



*Usb charger on request

