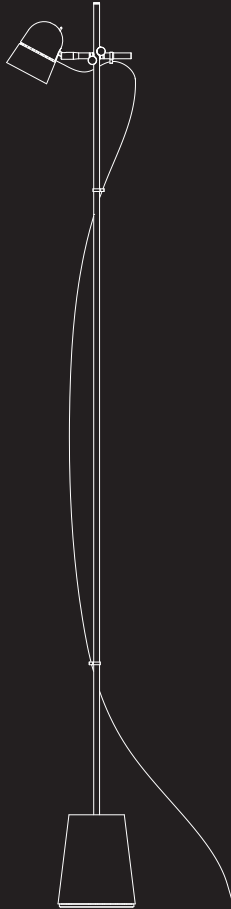


COUNTERBALANCE

design Daniel Rybakken



**LUCE
PLAN**

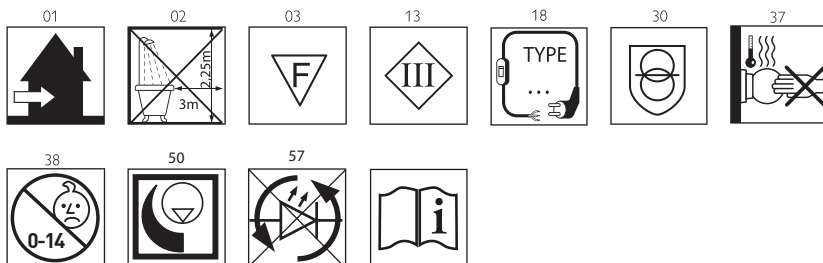
D73t



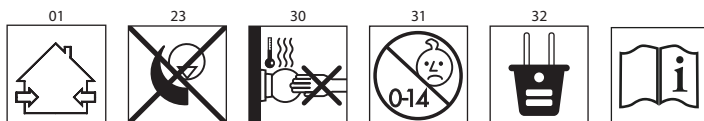
COUNTERBALANCE

design Daniel Rybakken

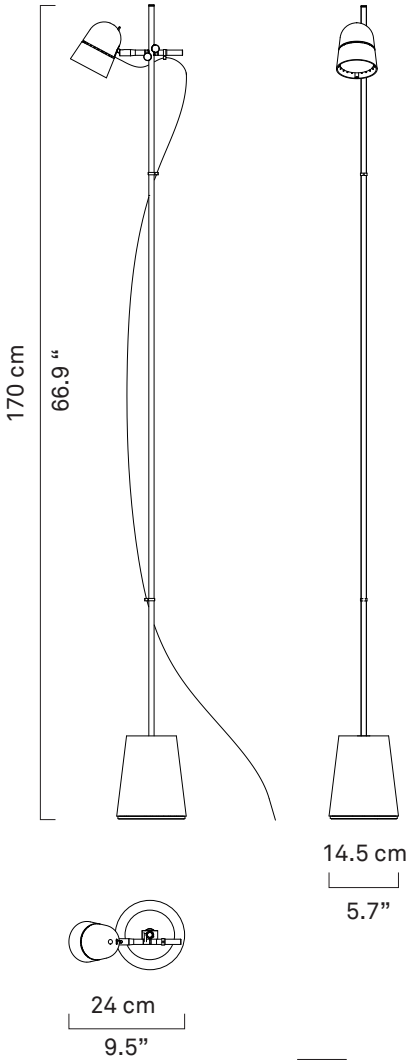
D73t - EMEA



D73t - NAMER



D73t



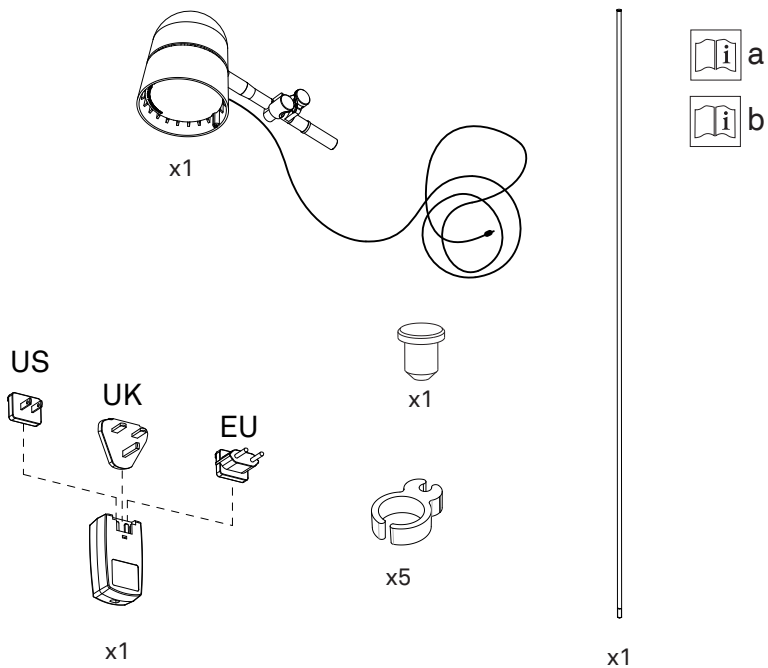
k 5,7 kg

l 12.6 lb

COUNTERBALANCE

design Daniel Rybakken

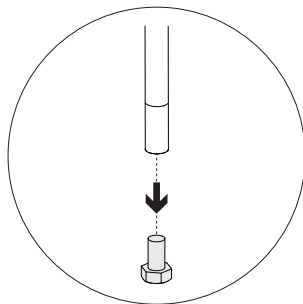
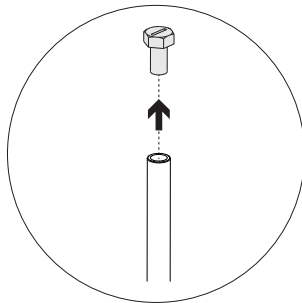
D73t



D73/1



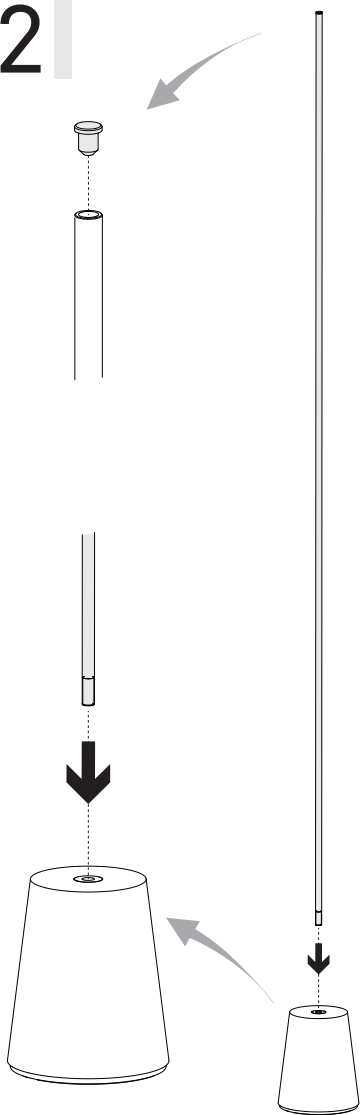
1



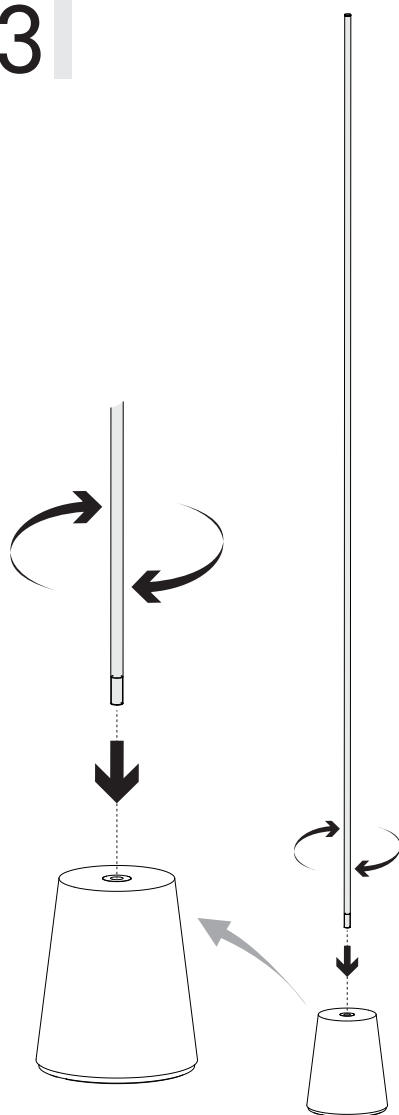
COUNTERBALANCE

design Daniel Rybakken

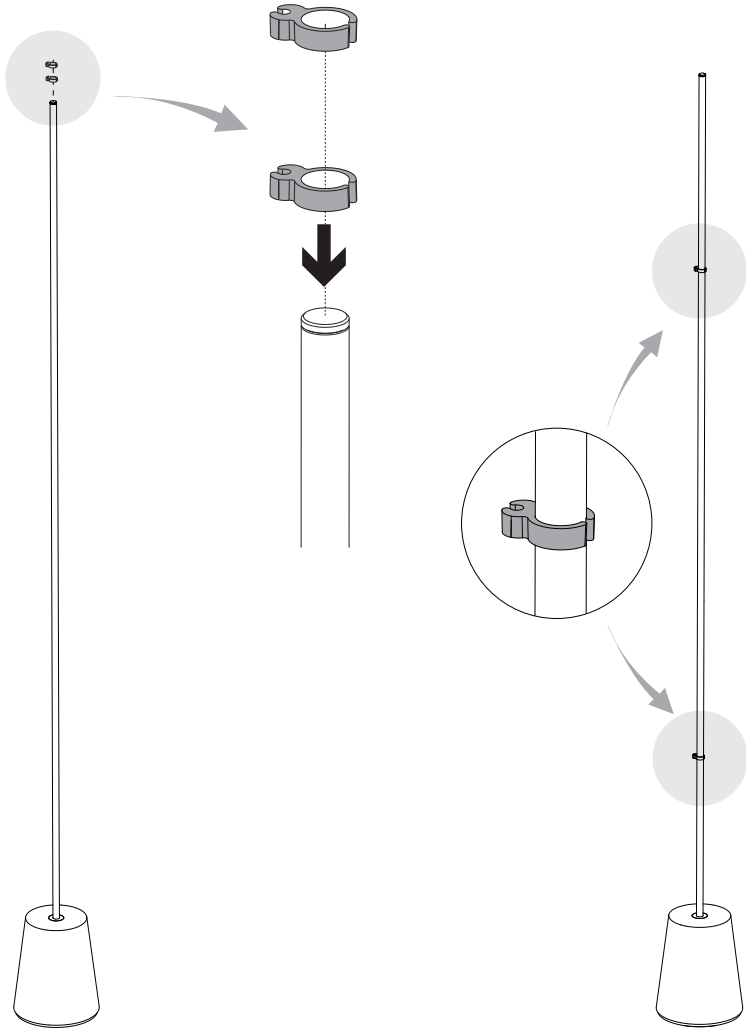
2



3



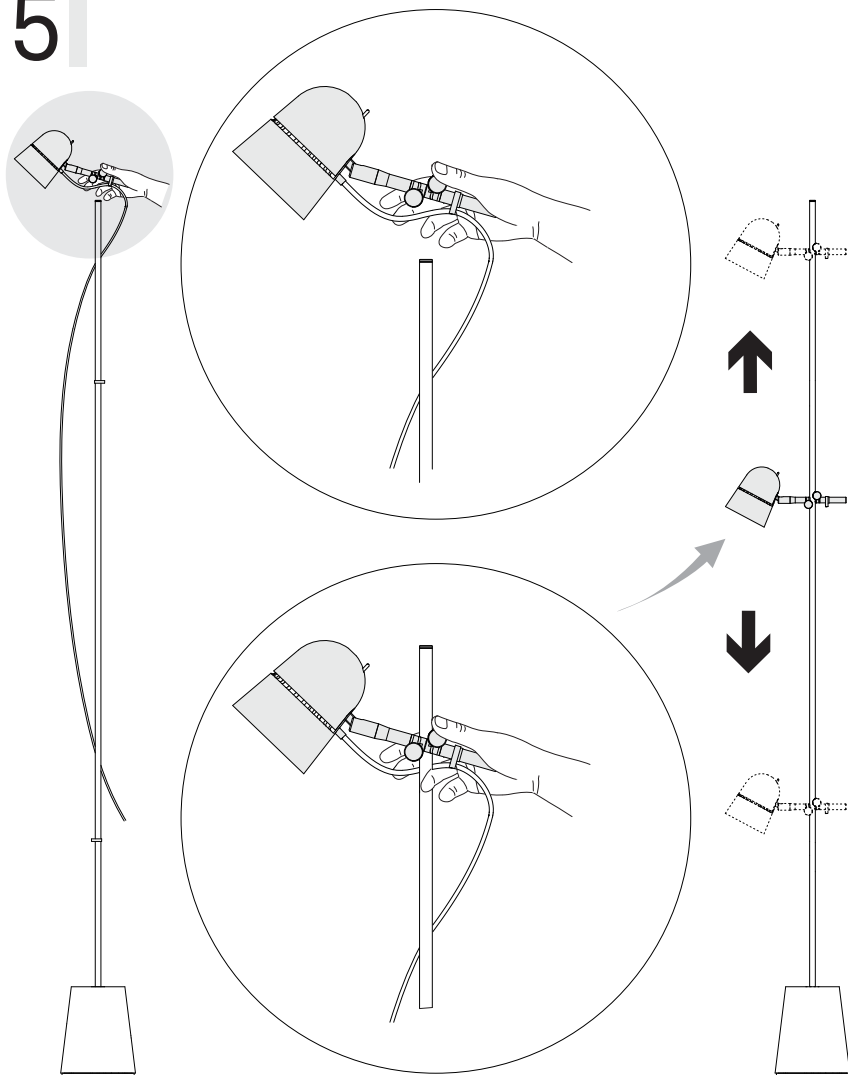
4



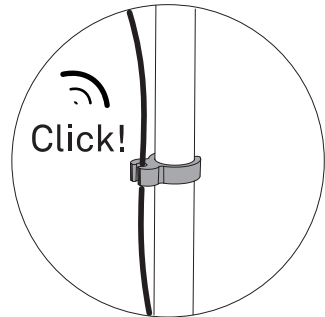
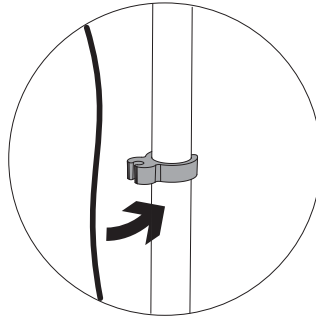
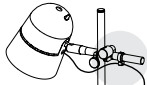
COUNTERBALANCE

design Daniel Rybakken

5



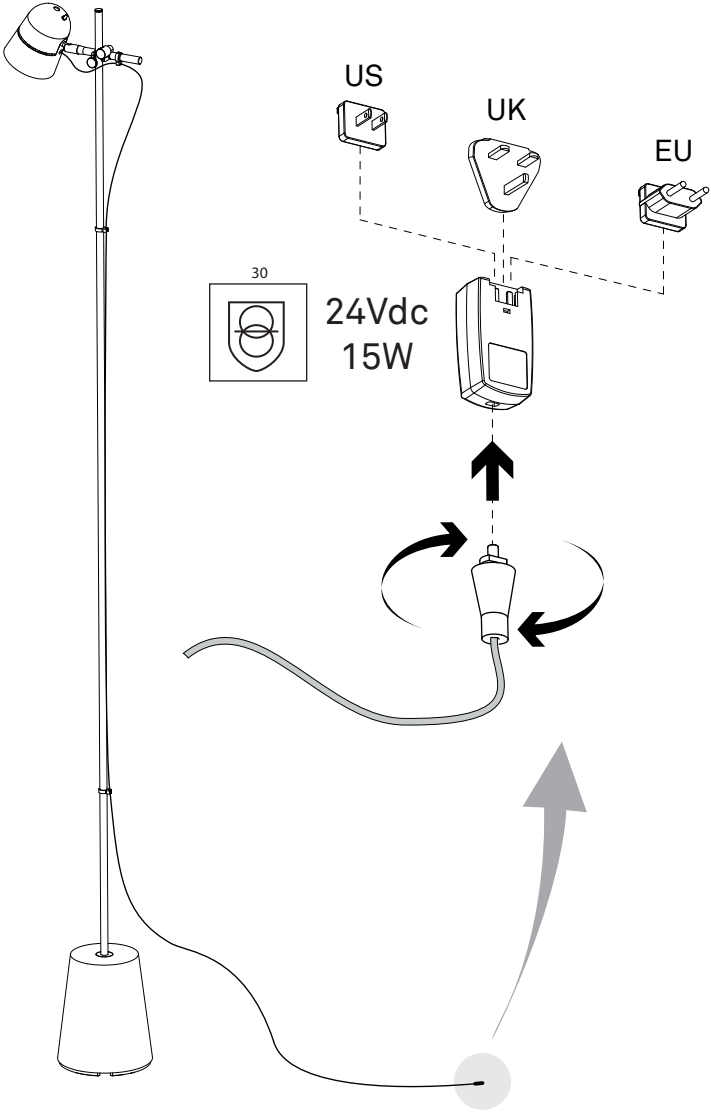
6



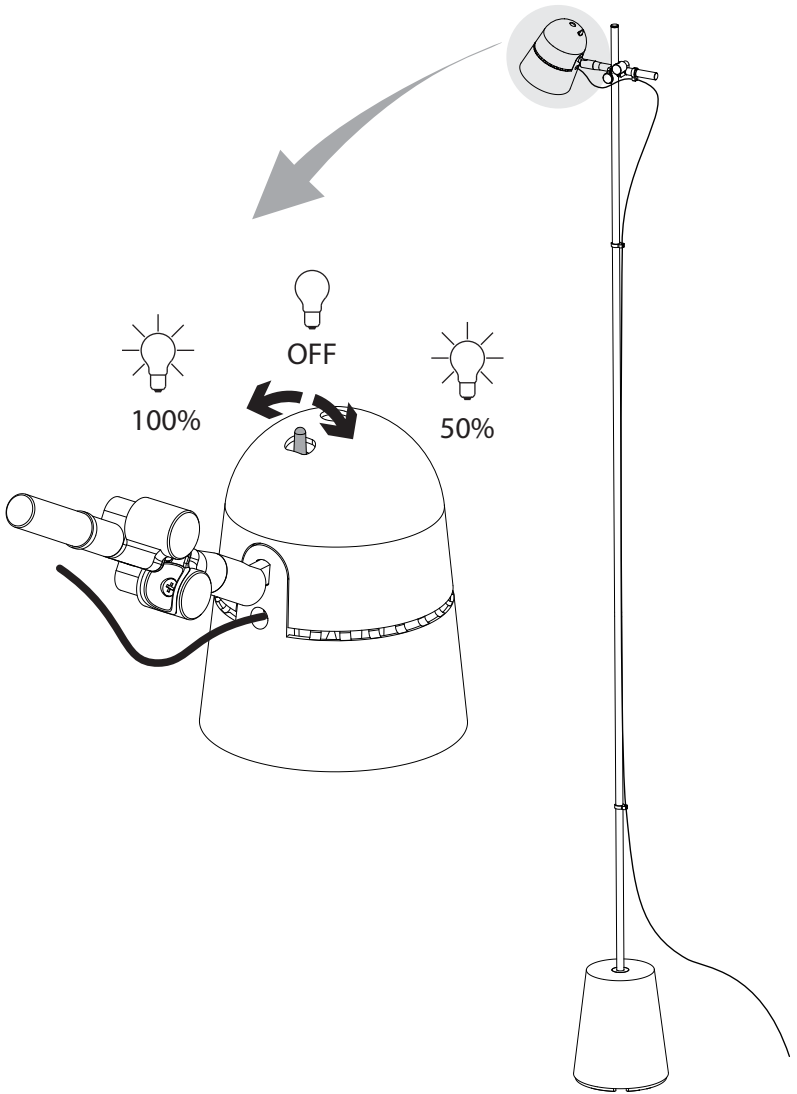
COUNTERBALANCE

design Daniel Rybakken

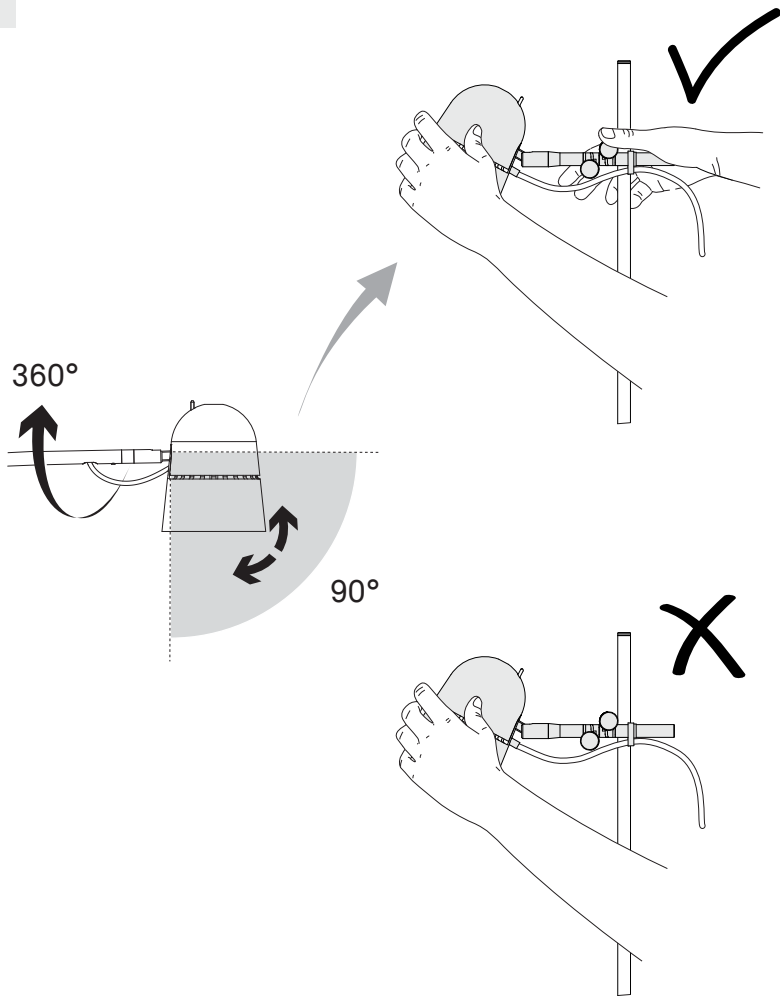
7



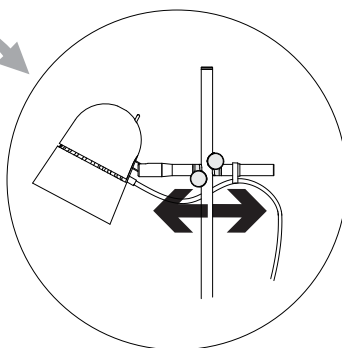
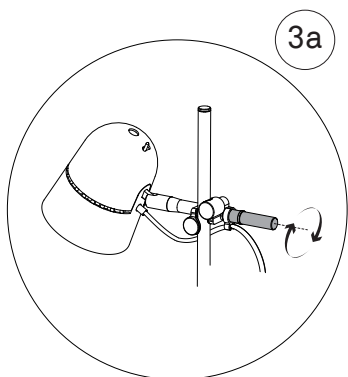
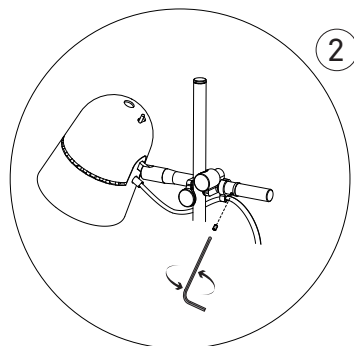
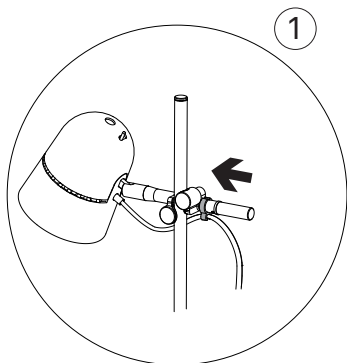
8



7

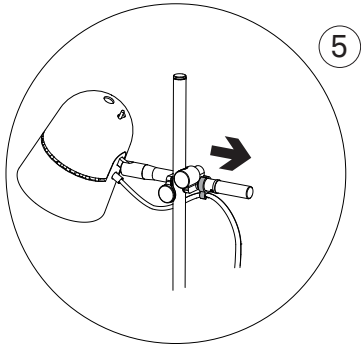
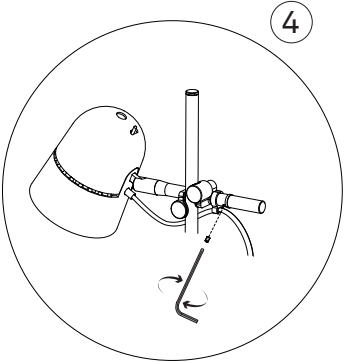
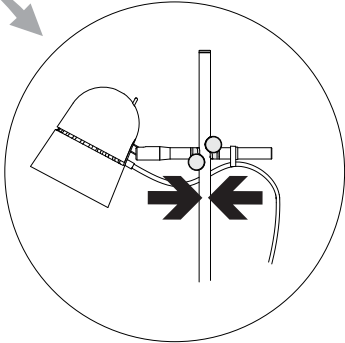
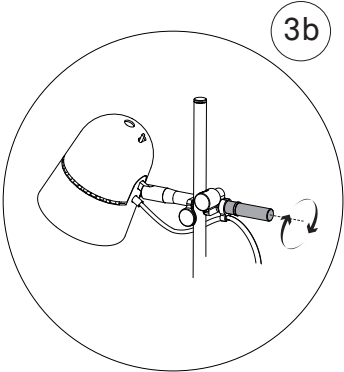


10



COUNTERBALANCE

design Daniel Rybakken





www.luceplan.com

D730|E203