

COMPENDIUM

design Daniel Rybakken

**LUCE
PLAN**

Type: Suspension

Light source: D81B2 LED module 33W, 3000K, CRI 90, max 1A_{dc}, 17dcSELV
D81BW2 LED module 33W, 2700K, CRI 90, max 1A_{dc}, 17dcSELV

Product use: Indoor

Materials: Profile in extruded aluminum anodized in various colors.

Colors: Black, brass, aluminum

Description: Compendium stands out for the evocative graphic-sculptural impact of their slim silhouette.



Insulation class and marks:

Rating: D81B2/D81BW2 + D81/25T D81/25D
220-240 V ~ 50/60 Hz, 37W

Reference code: Structure 3000K

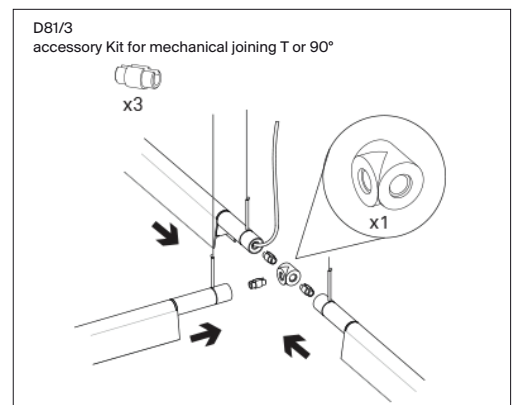
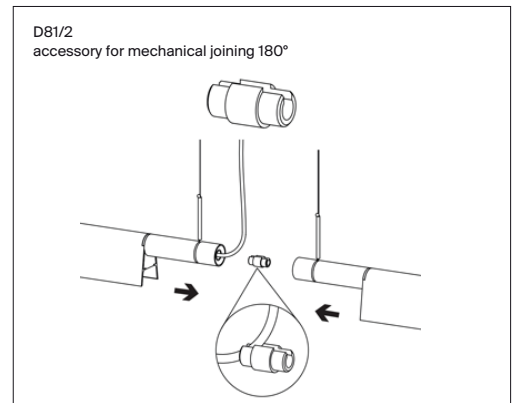
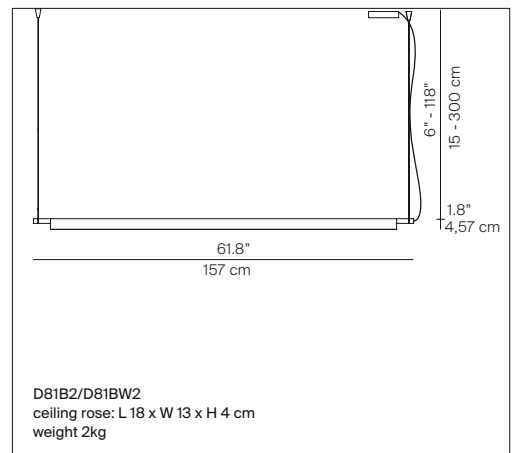
| | | | |
|-------|--------------|-------|----------|
| D81B2 | 1D810B020030 | brass | 1.926 lm |
| | 1D810B020020 | alu | 1.926 lm |
| | 1D810B020001 | black | 1.516 lm |

Reference code: Structure 2700K

| | | | |
|--------|--------------|-------|----------|
| D81BW2 | 1D810BW20030 | brass | 1.848 lm |
| | 1D810BW20020 | alu | 1.848 lm |
| | 1D810BW20001 | black | 1.453 lm |

Ceiling rose: push/DALI
D81/25D 1D810/25D000 white
phase cut
D81/25T 1D810/25T000 white

Accessory: D81/2 1D810/200001 black
D81/3 1D810/300001 black



(*) Power consumption by device

