

COMPENDIUM

design Daniel Rybakken

**LUCE
PLAN**

Type: Floor




Light source: D81T2 LED 37W⁽¹⁾ 3000K, CRI 90
D81TW2 LED 37W⁽¹⁾ 2700K, CRI 90

Product use: Indoor

Materials: Profile in extruded aluminum anodized in various colors.
Base in die-cast zinc-alloy, dimmer mounted on the power cord

Colors: Black, brass, aluminium

Description: Compendium stands out for the evocative graphic-sculptural impact of its slim silhouette.

Insulation class and marks:   

Rating: 220-240 V ~ 50/60 Hz, 37W

Reference code : Structure 3000K

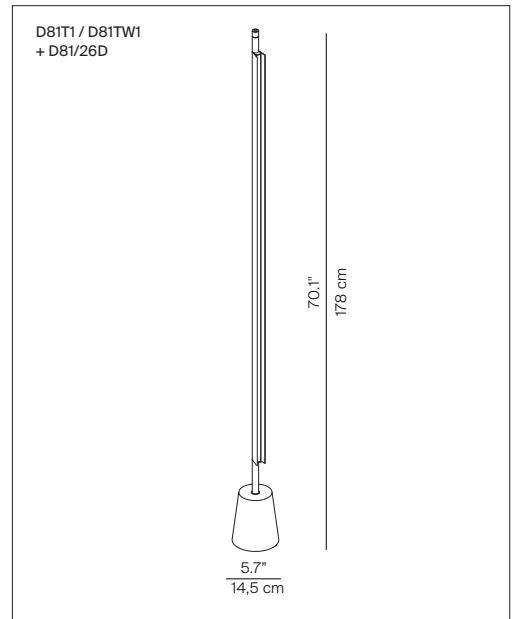
D81T2	1D810T020030	brass	1.926 lm
	1D810T020020	alu	1.926 lm
	1D810T020001	black	1.516 lm

Structure 2700K

D81TW2	1D810TW20030	brass	1.848 lm
	1D810TW20020	alu	1.848 lm
	1D810TW20001	black	1.453 lm

Base

D81/26D	1D810/26D001	black	
---------	--------------	-------	--



⁽¹⁾ Power consumption by device

