

DIADE

design Monica Armani



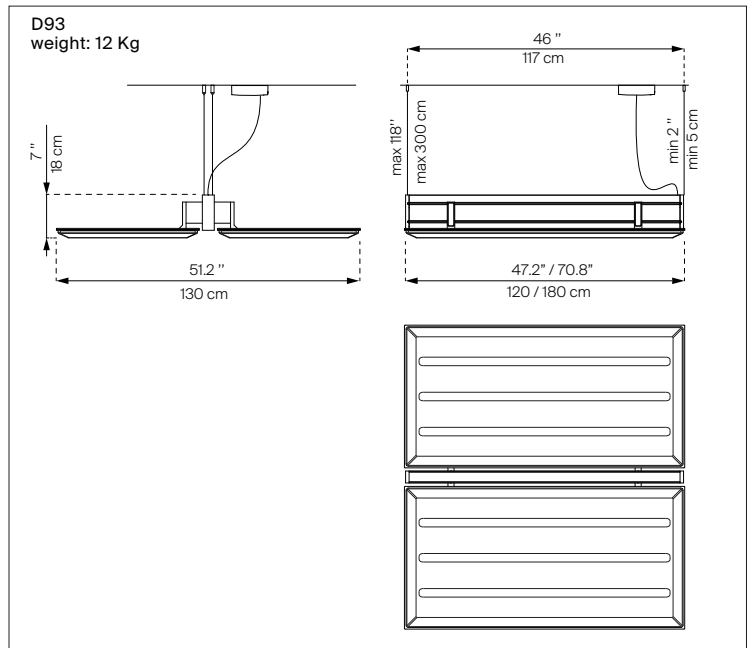
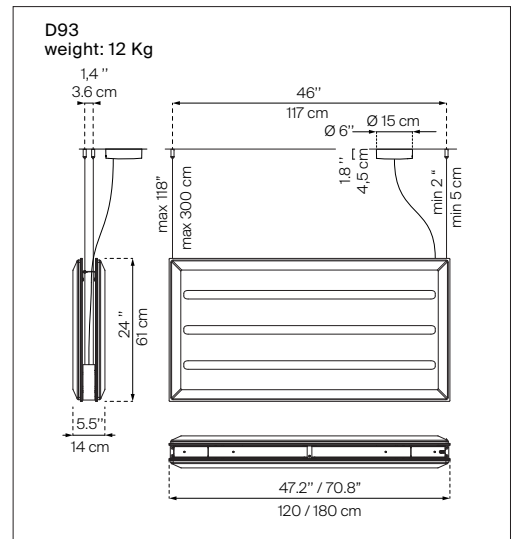
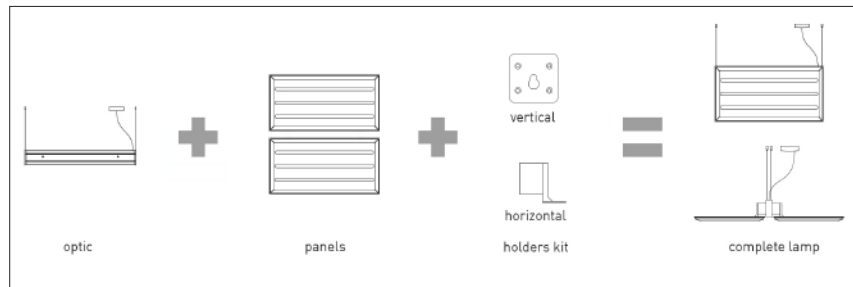
- Type: Suspension
- Light source: **120 cm version (dimmable push/DALI) direct version**
 LED 43W, 3000K CRI 90
direct/indirect version (only for horizontal configuration)
 LED 43W + 32W, 3000K CRI 90
- 180 cm version (dimmable push/DALI) direct version**
 LED 63W, 3000K CRI 90
direct/indirect version (only for horizontal configuration)
 LED 63W + 52W, 3000K CRI 90
- Product use: Indoor
- Material: Lamp body in aluminium
 Sound-absorbing panel in molded pet
- Colors: structure: natural grey aluminium
 panel: White/Black, White/Blue, White/Beige
- Description: A linear LED lamp for the workplace, the technical LED lighting, ideal for work, is directly downward by the central line, with the possibility of two beams, depending on lighting requirements.



Insulation class and marks:

Rating: 220-240 V ~ 50/60 Hz*

*The LED lamps cannot be changed in the luminaire
 Power consumption by device



D935DDCN	43W
D935DICN/D935FICN	43W+32W
D935DDLN	63W
D935DILN/D935FILN	63W+52W

Reference code: **Structure 120 cm**

D93SDDC	1D930SDDC020	(direct light) alu
D93SDIC	1D930SDLC020	(direct/indirect light) alu
D93SFIC	1D930SFIC020	(direct/indirect light with anti-glare) alu

Panels 120 cm

D93/1	1D93010000A1	white/black
	1D93010000A2	white/blue
	1D93010000A4	white/beige

Structure 180 cm

D93SDDL	1D930SDDL020	alu
D93SDIL	1D930SDLL020	(direct/indirect light) alu
D93SFIL	1D930SFIL020	(direct/indirect light with anti-glare) alu

Panels 180 cm

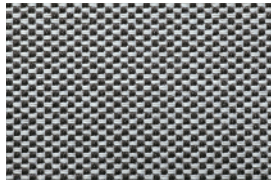
D93/3	1D93030000A1	white/black
	1D93030000A2	white/blue
	1D93030000A4	white/beige

Vertical support kit

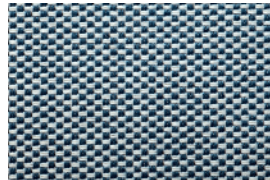
D93/5	1D9305000020	alu (kit 4 supports)
D93/7	1D9307000020	alu (kit 6 supports)

Orizzontal support kit

D93/6	1D9306000020	alu (kit 4 supports)
D93/8	1D9308000020	alu (kit 6 supports)



White/Black



White/Blue



White/Beige