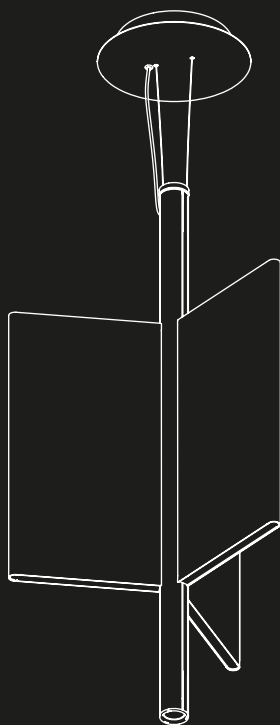


TRYPTA

design Stephen Burks



**LUCE
PLAN**

D97

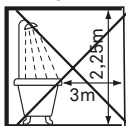


D97

01



02



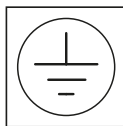
03



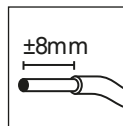
06



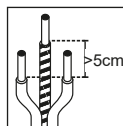
11



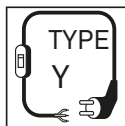
14



15



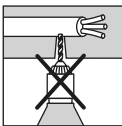
18



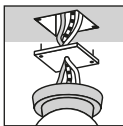
29



34



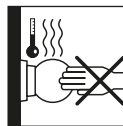
35



36



37



56

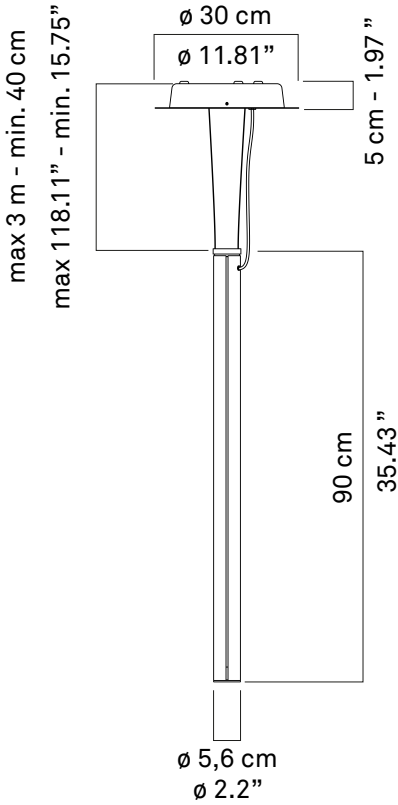


30

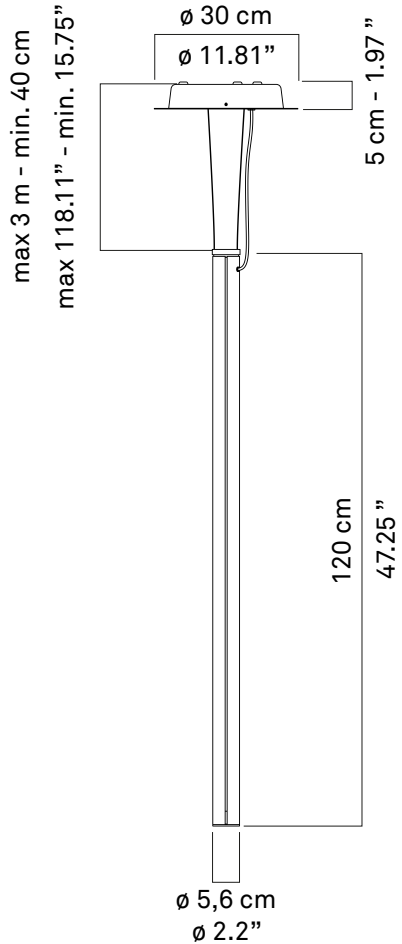




D97/1D



D97/2D



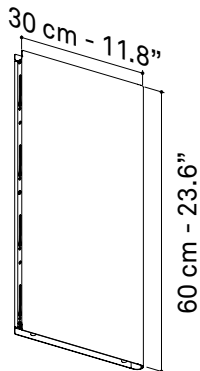
kg 4,4 kg

lb 9,7 lb

kg 5,4 kg

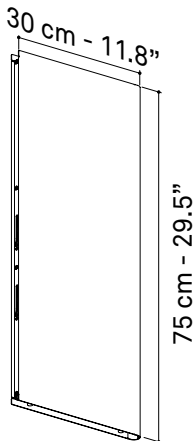
lb 11 lb

D97C36



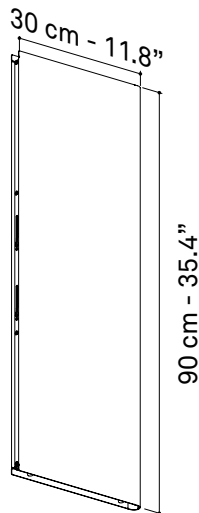
kg 1,1 kg lb 2,43 lb

D97C37



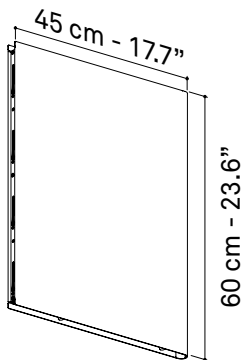
kg 1,4 kg lb 3,08 lb

D97C39



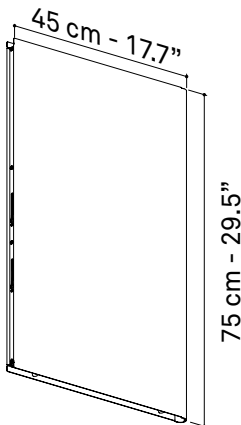
kg 1,9 kg lb 4,18 lb

D97C46



kg 1,5 kg lb 3,30 lb

D97C47



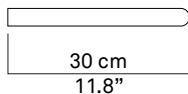
kg 1,9 kg lb 4,18 lb

D97C49

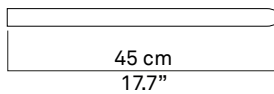


kg 2,25 kg lb 4,96 lb

D97/31

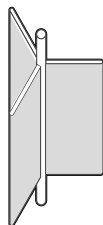


D97/32

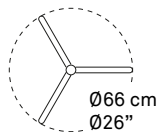


Suggested configurations

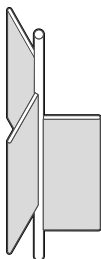
FLAT VERSION
Body L 90 cm
3 panels 30 x 60 cm



D97/1D +
3 x D97C36

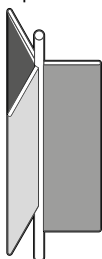


SHIFT VERSION
Body L 120 cm
3 panels 30 x 60 cm



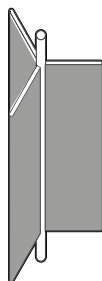
D97/2D +
3 x D97C36

MIXED VERSION
Body L 120 cm
1 panel 30 x 60 cm
1 panel 30 x 75 cm
1 panel 30 x 90 cm



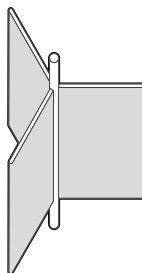
D97/2D +
3 x D97C36
1 x D97C37
1 x D97C39

FLAT VERSION
Body L 120 cm
3 panels 30 x 90 cm

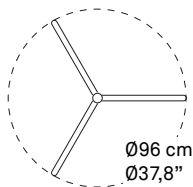


D97/2D +
3 x D97C39

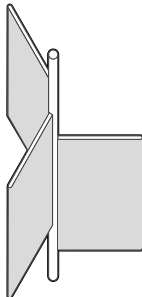
FLAT VERSION
Body L 90 cm
3 panels 45 x 60 cm



D97/1D +
3 x D97C46

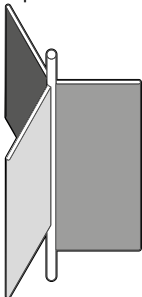


SHIFT VERSION
Body L 120 cm
3 panels 45 x 60 cm



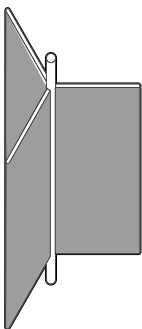
D97/2D +
3 x D97C46

MIXED VERSION
Body L 120 cm
1 panel 45 x 60 cm
1 panel 45 x 75 cm
1 panel 45 x 90 cm



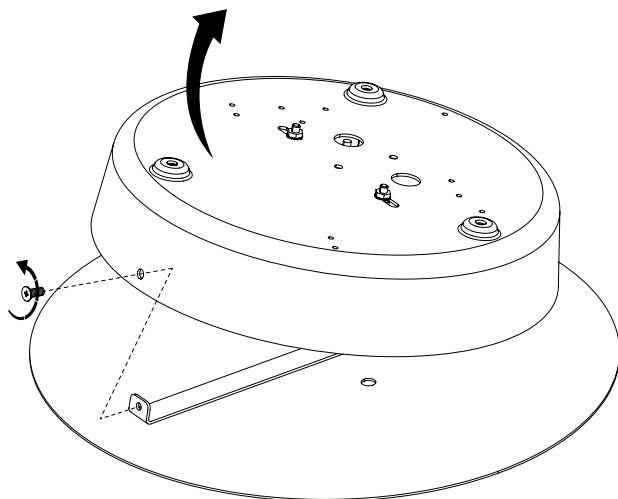
D97/2D +
3 x D97C46
1 x D97C47
1 x D97C49

FLAT VERSION
Body L 120 cm
3 panels 45 x 90 cm

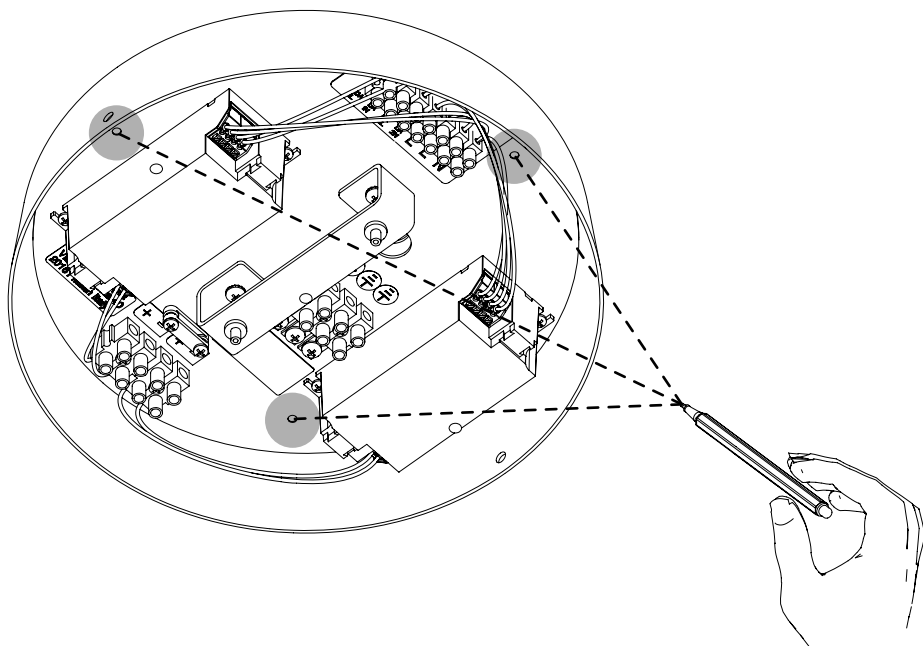


D97/2D +
3 x D97C49

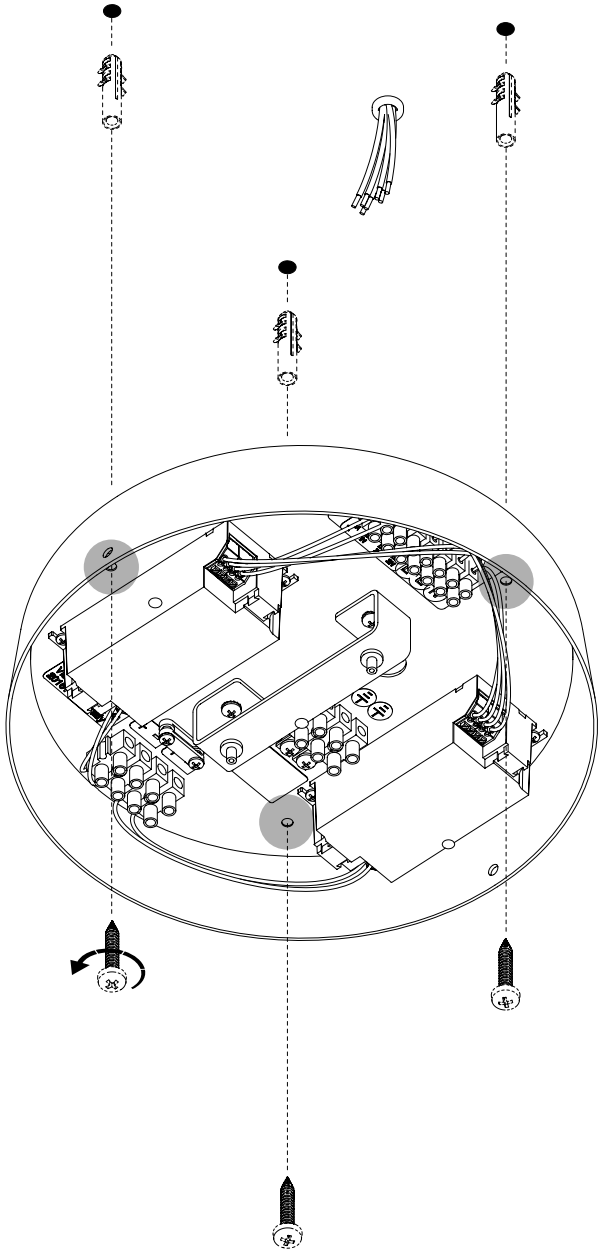
1 | 1.1



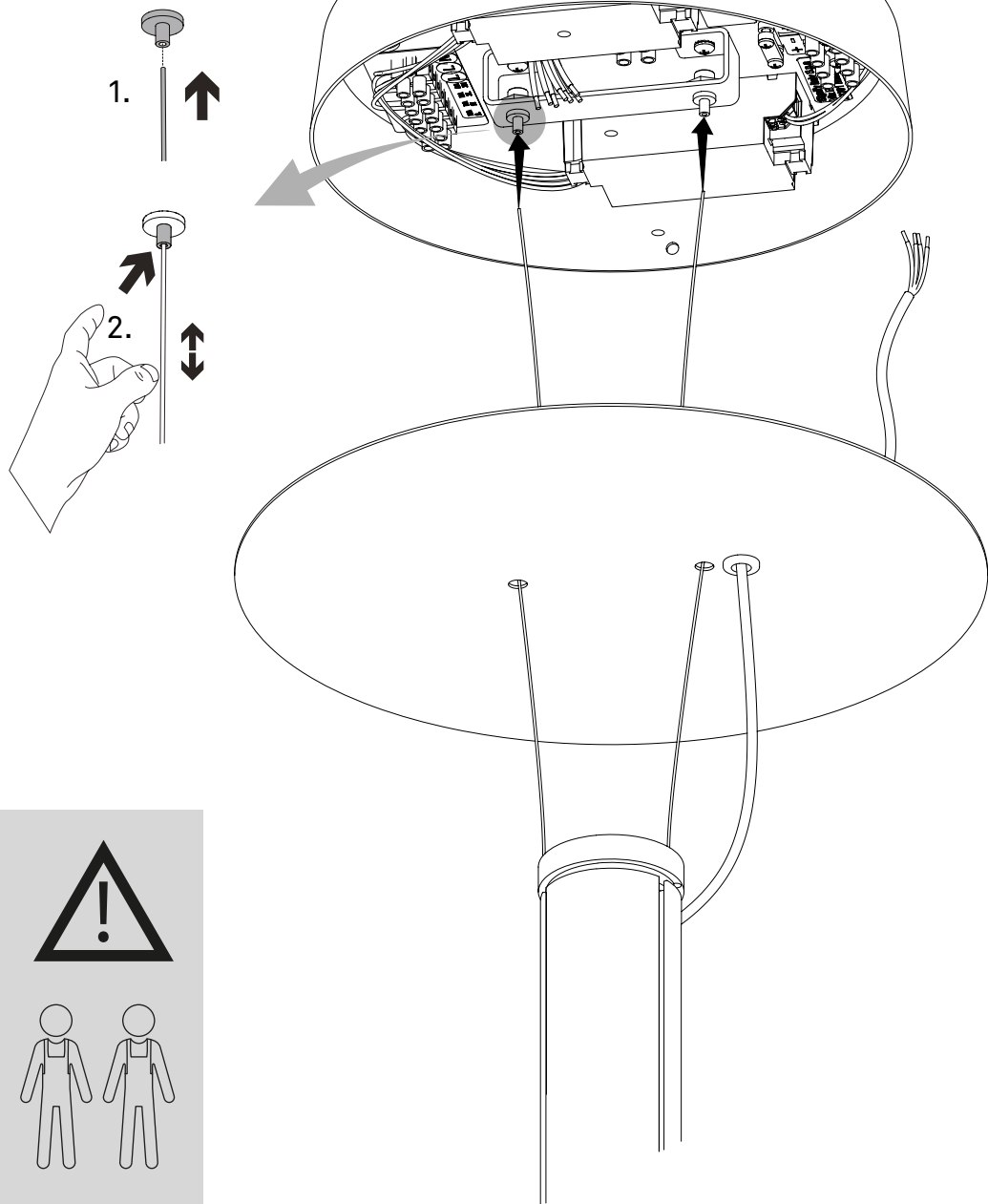
1.2



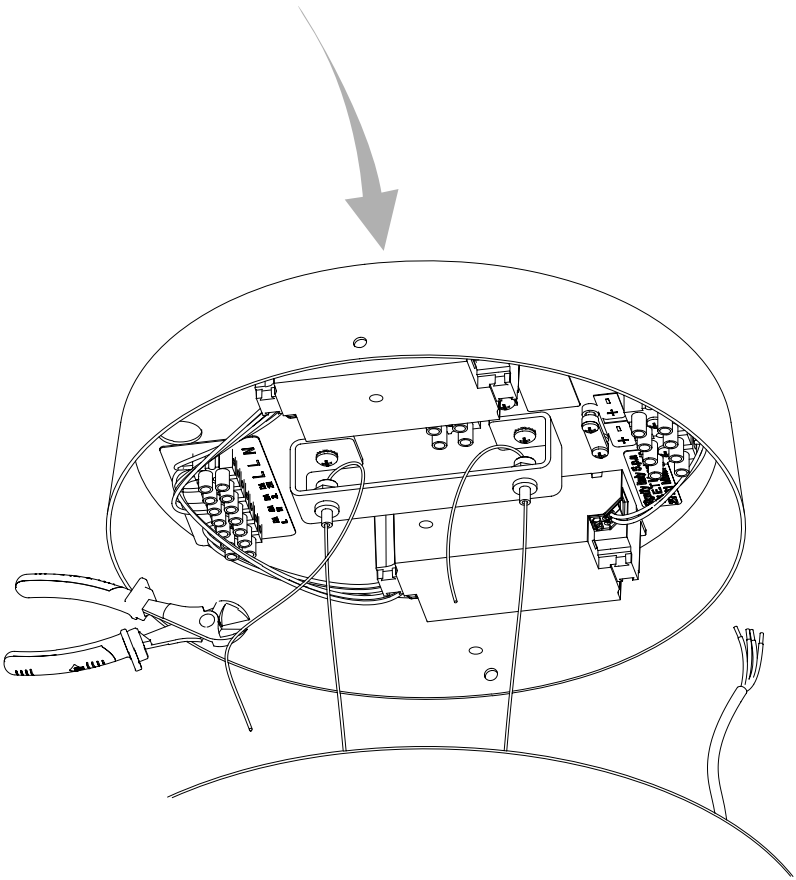
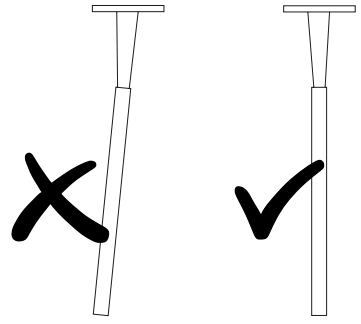
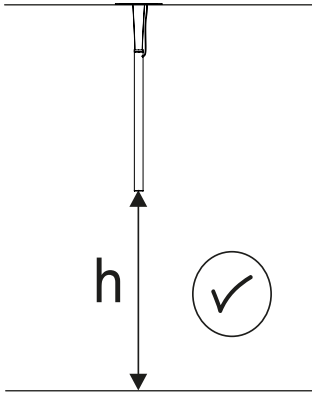
1.3



1.4

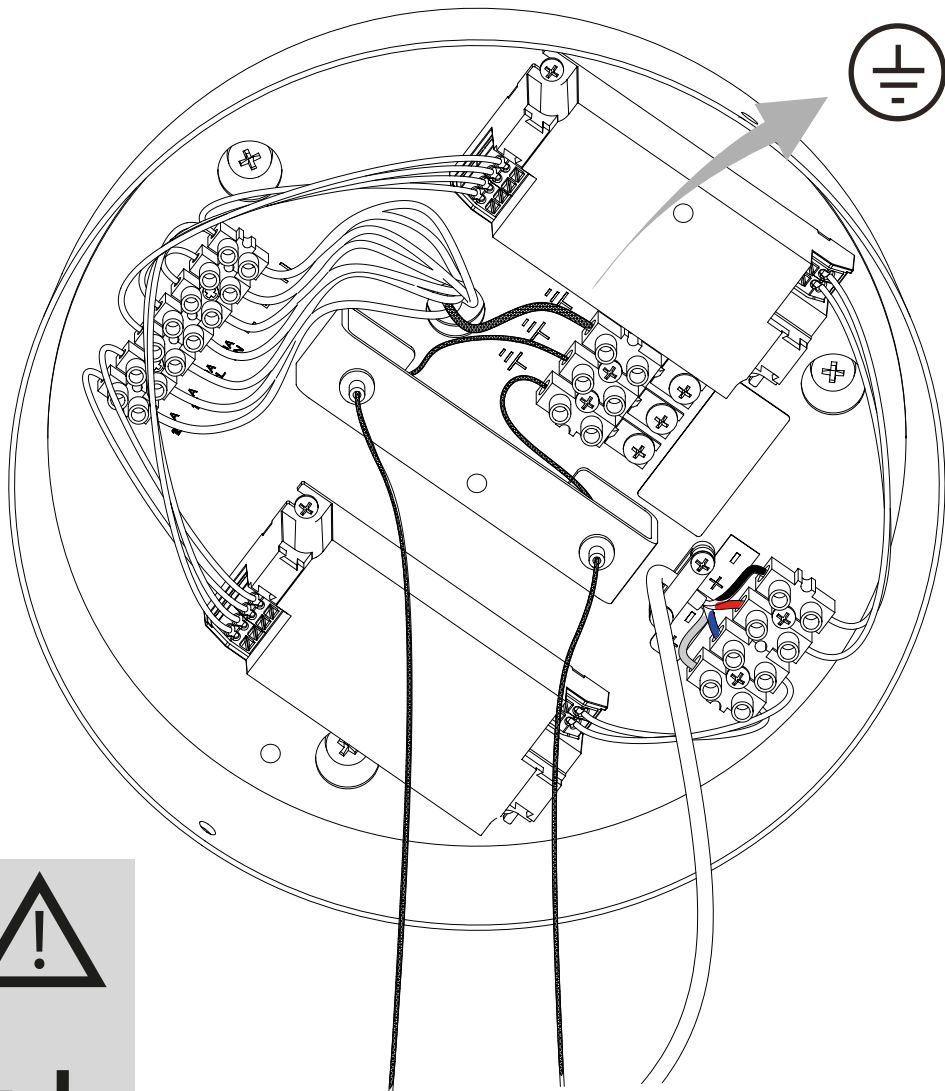


1.5

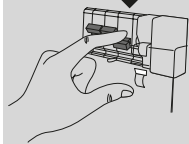


2 | 2.1

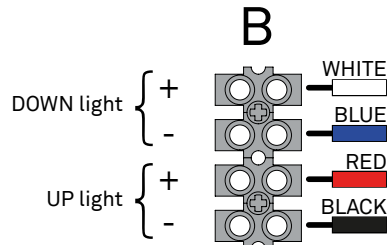
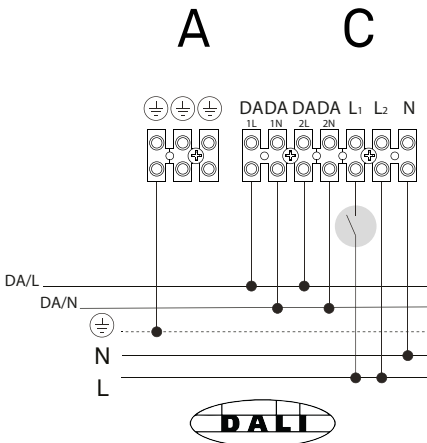
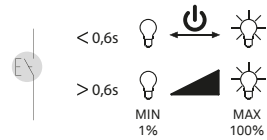
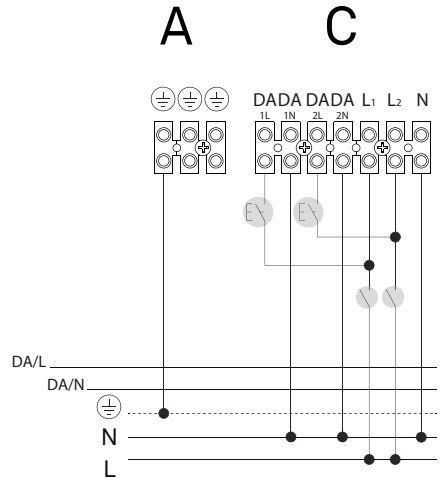
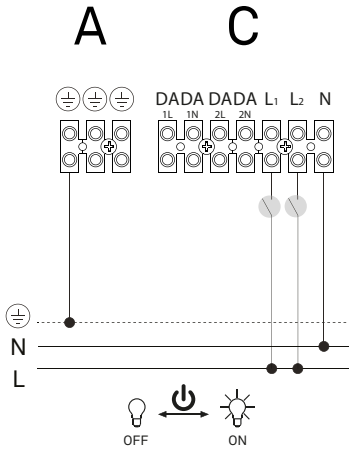
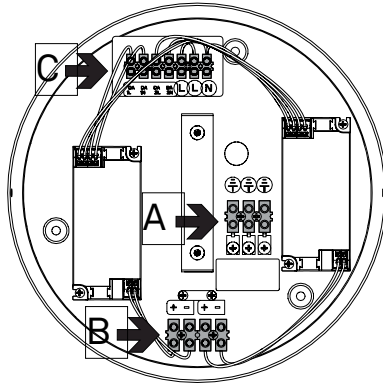
2.2



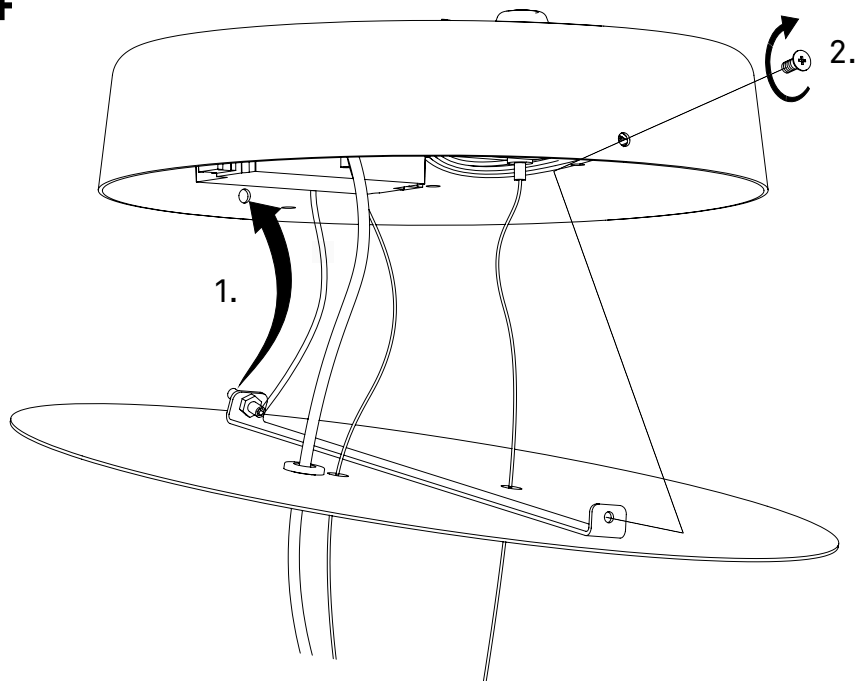
OFF ↓



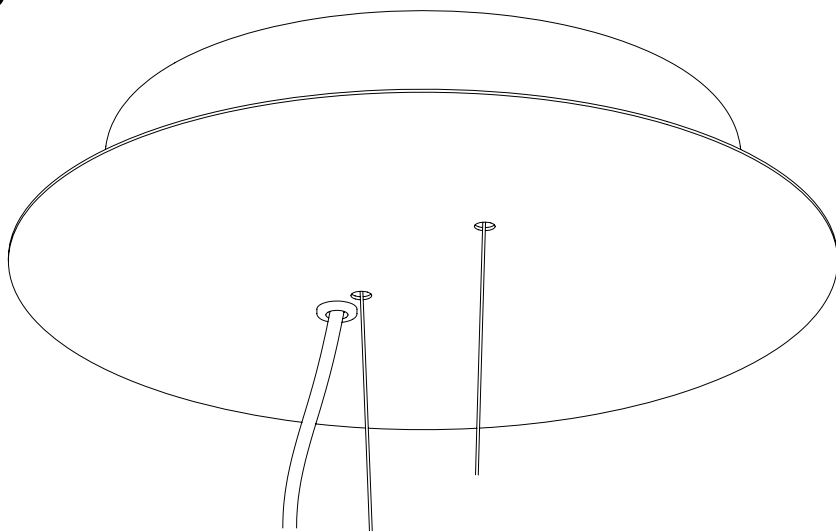
2.3



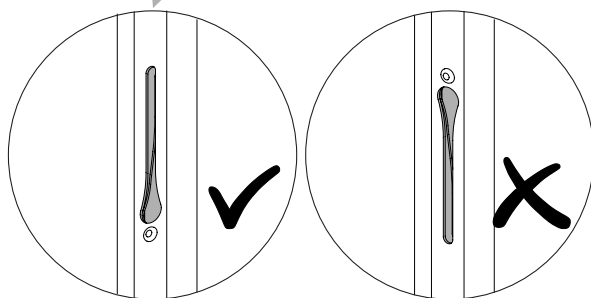
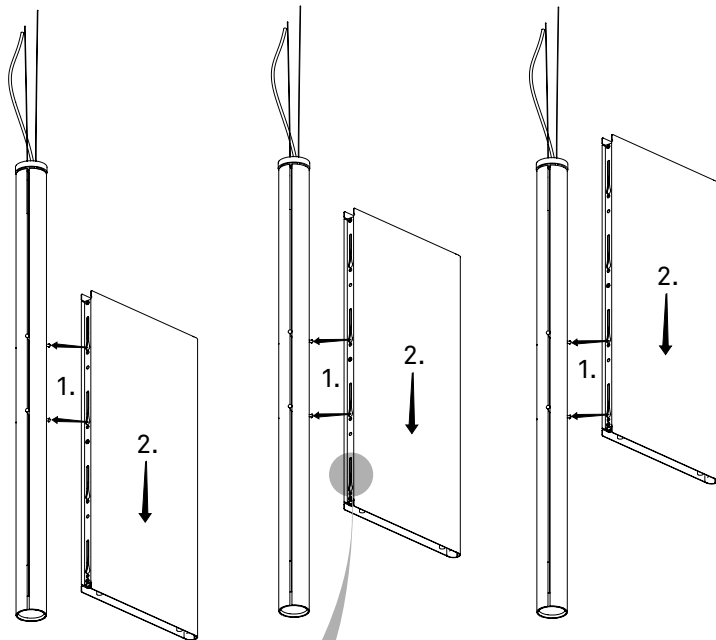
2.4



2.5



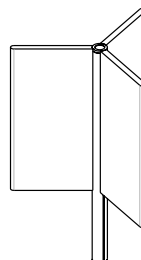
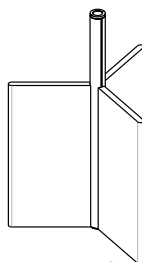
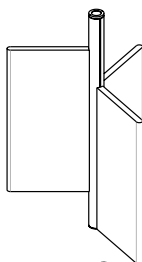
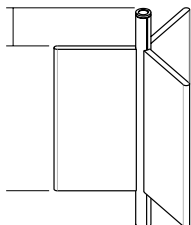
3 | 3.1



p. 5

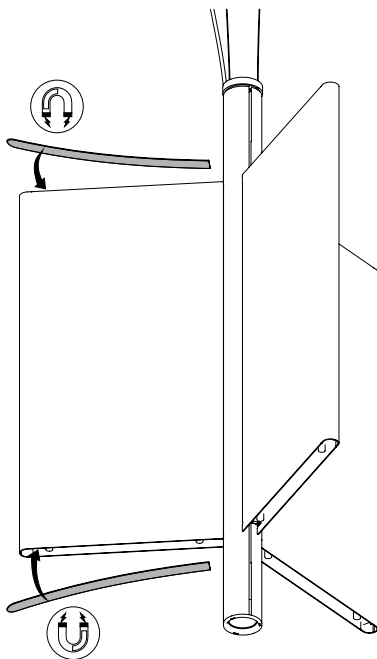
≥15cm

≥15cm

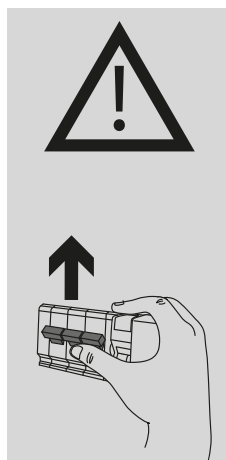
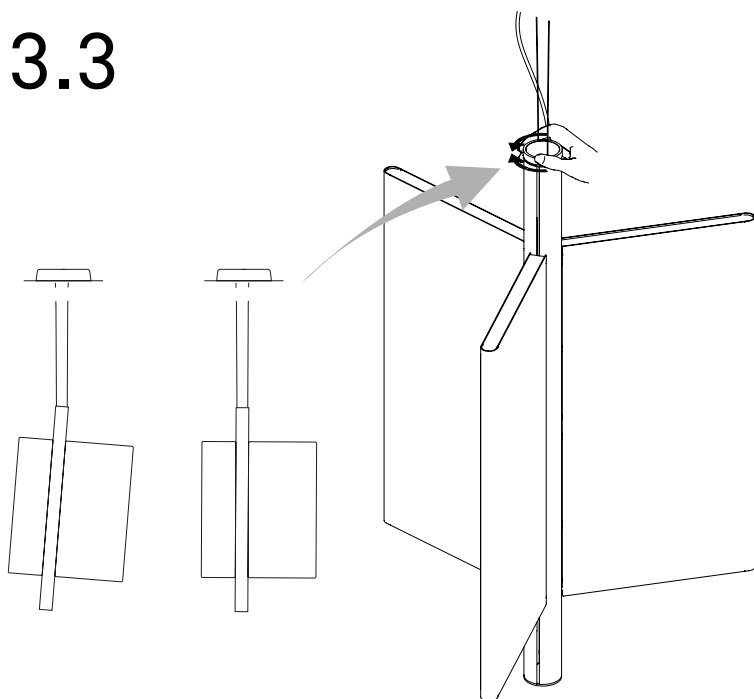


3.2

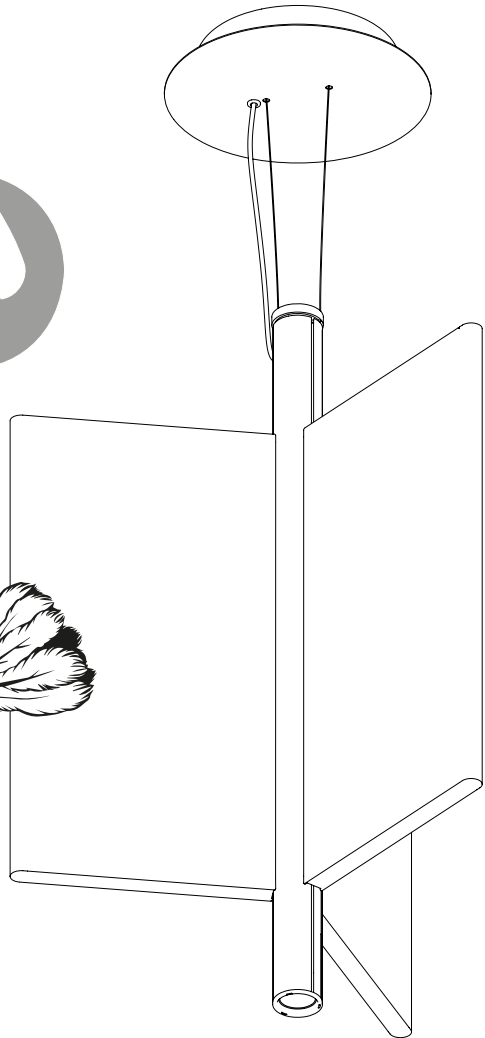
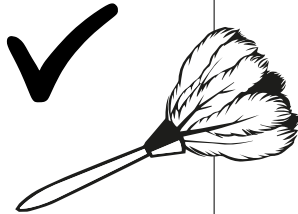
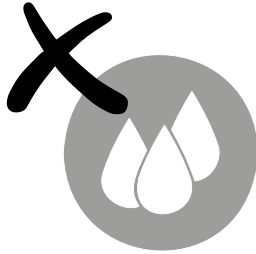
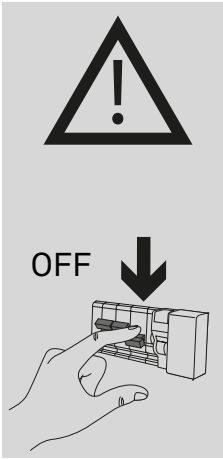
D97/31
D97/32



3.3



4





www.luceplan.com

D97010001