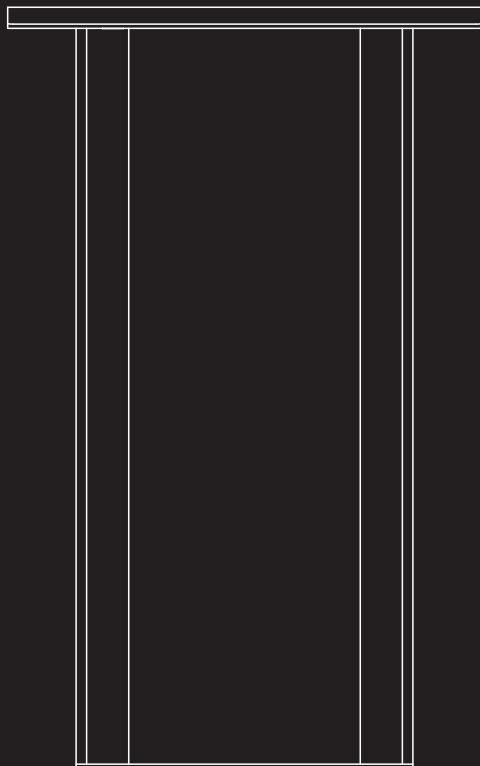


# FIENILE

design Daniel Rybakken

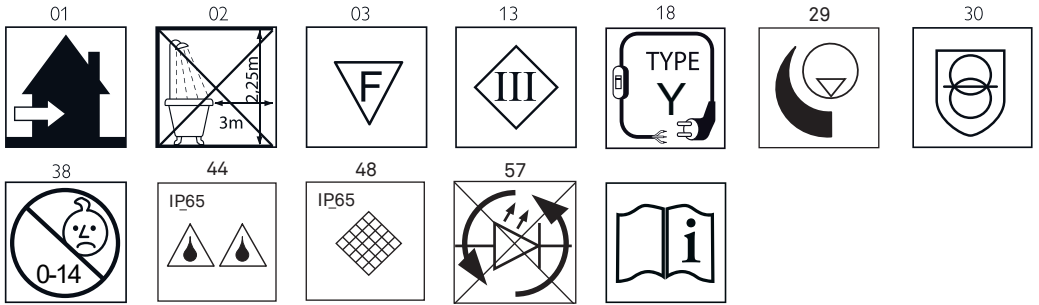


**LUCE  
PLAN**

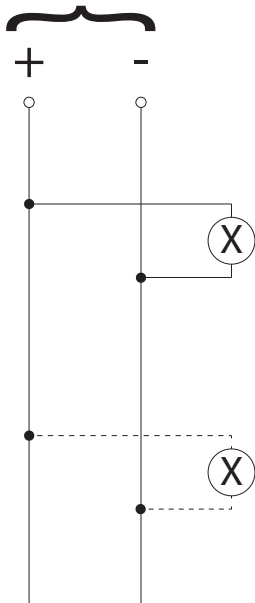
D98



# D98TM1-D98/2-D98/3 Europe-Middle East-Asia

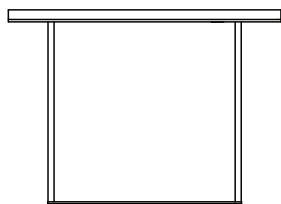


1 X D98TM1 - D98/2 - D98/3  
24V  $\text{---}$  SELV min 15W



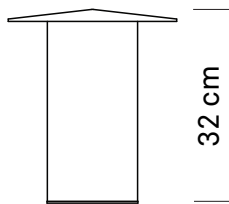
Output PWM  
Max 200HZ

# D98TM1+D98/2



45 cm

17,71 "

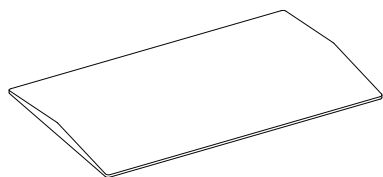


32 cm  
12,6 "

28 cm

11,02 "

## D98TM1



x1



x1

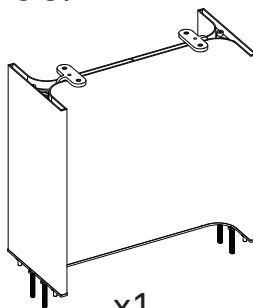


x4



x1

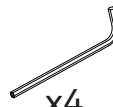
## D98/2



x1

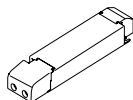


x4



x4

## D94/1



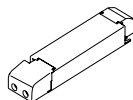
SELV



24V ---

Push/Dali

## D98/5



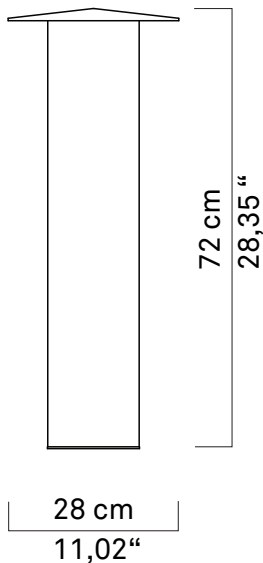
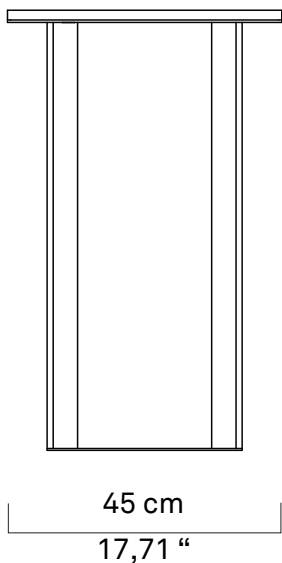
SELV



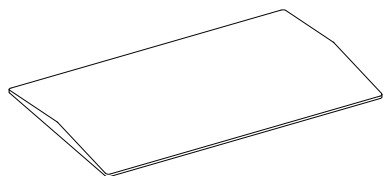
24V ---

On/Off

# D98TM1+D98/3



## D98TM1



x1



x1

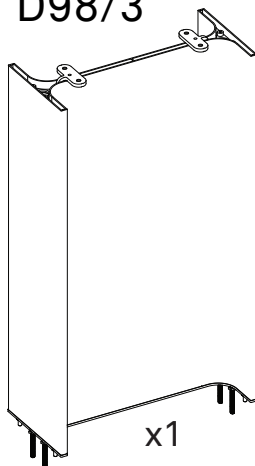


x4



x1

## D98/3

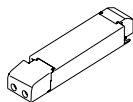


x4



x4

## D94/1



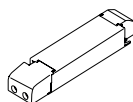
SELV



24V ---

Push/Dali

## D98/5



SELV



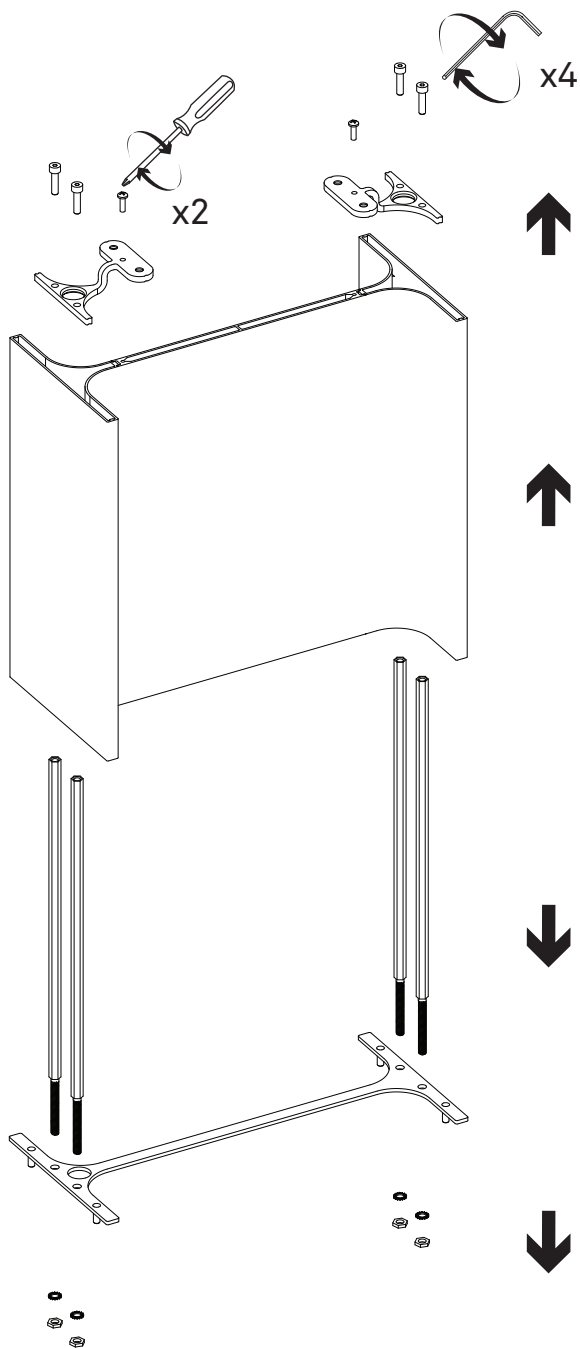
24V ---

On/Off

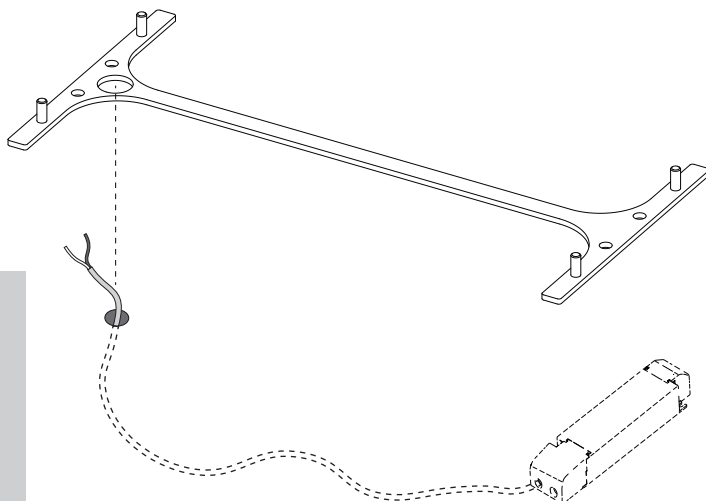
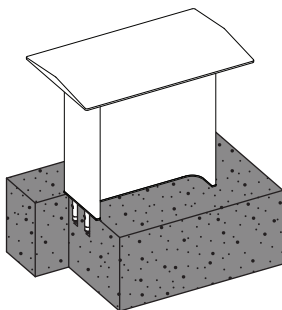


# 1

D98/2  
D98/3



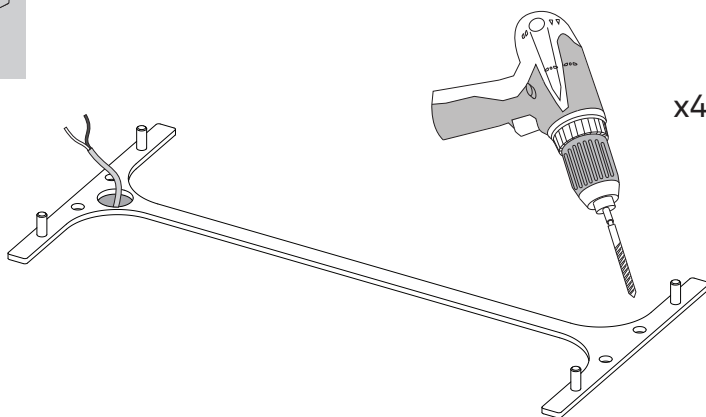
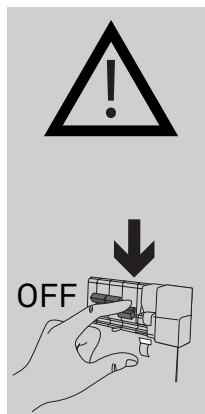
2 D98/2  
D98/3



SELV

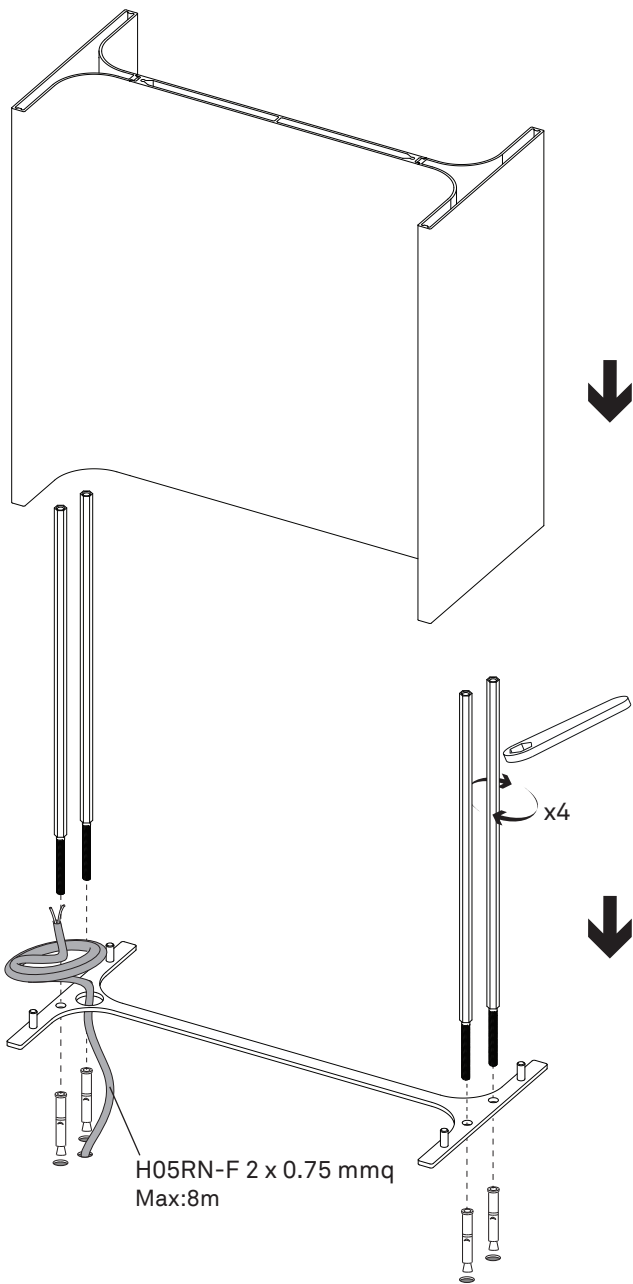


24V ---



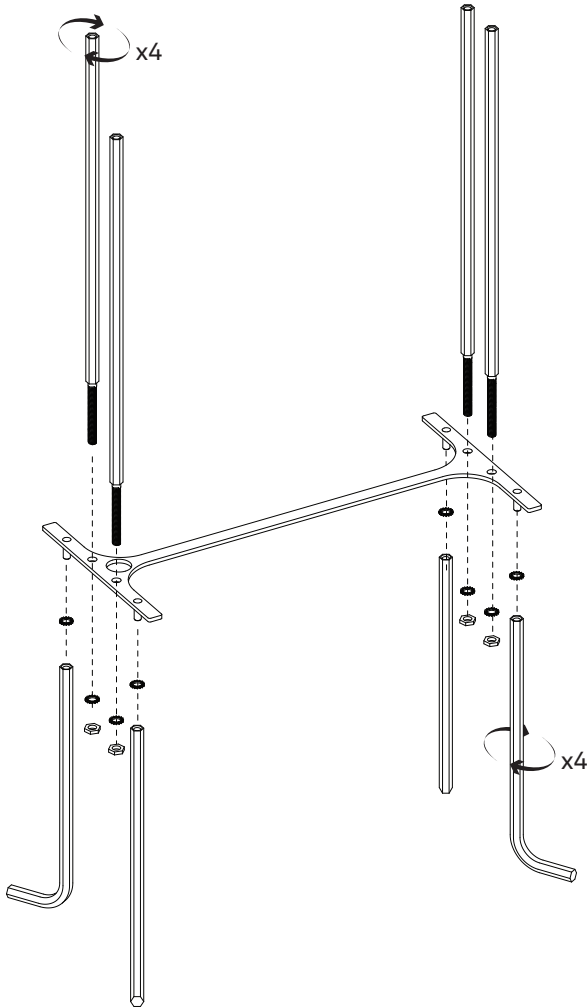
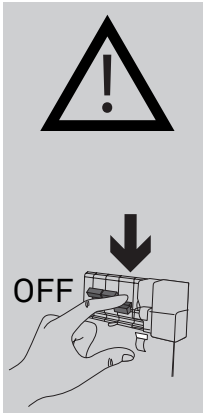
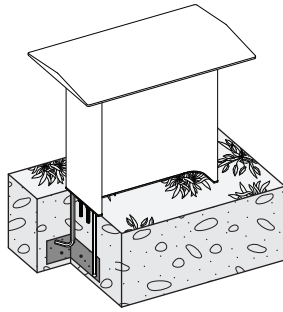
x4

# 2.1

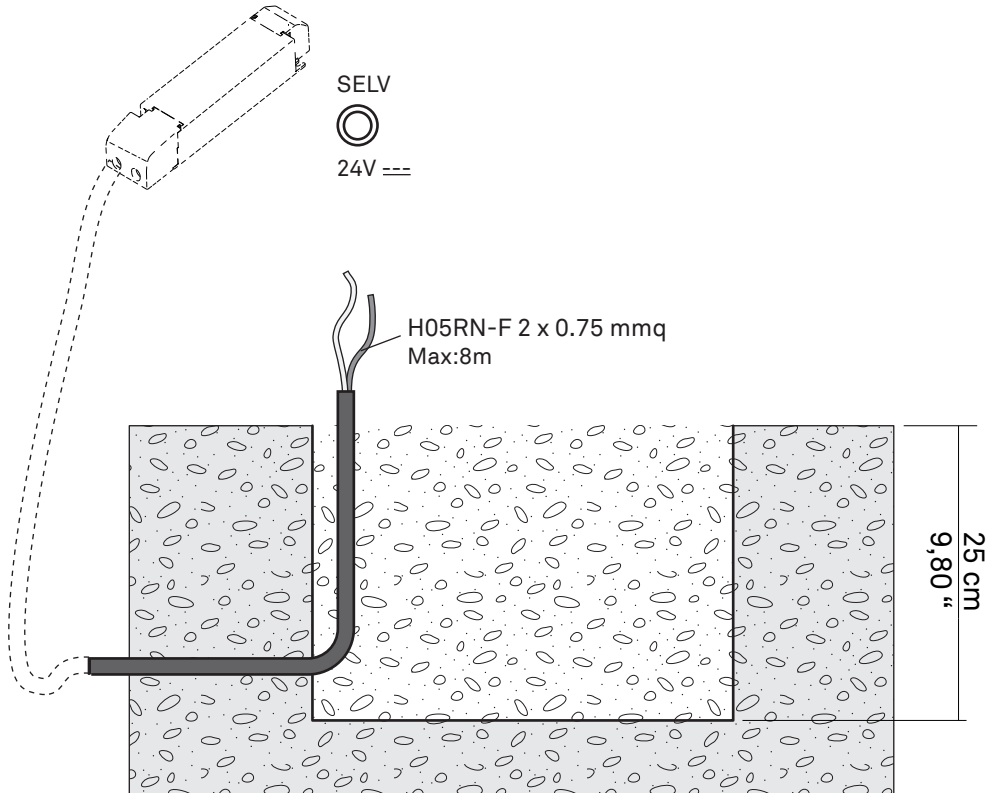
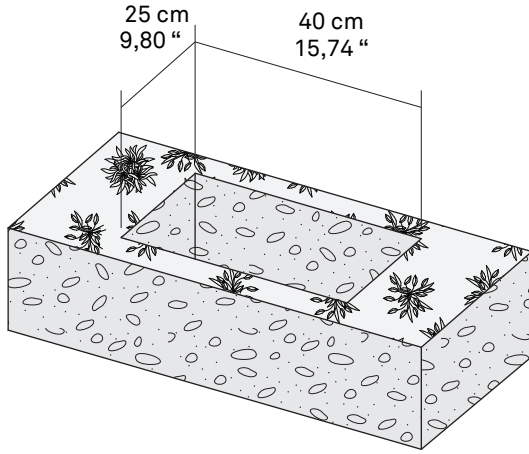


# 3

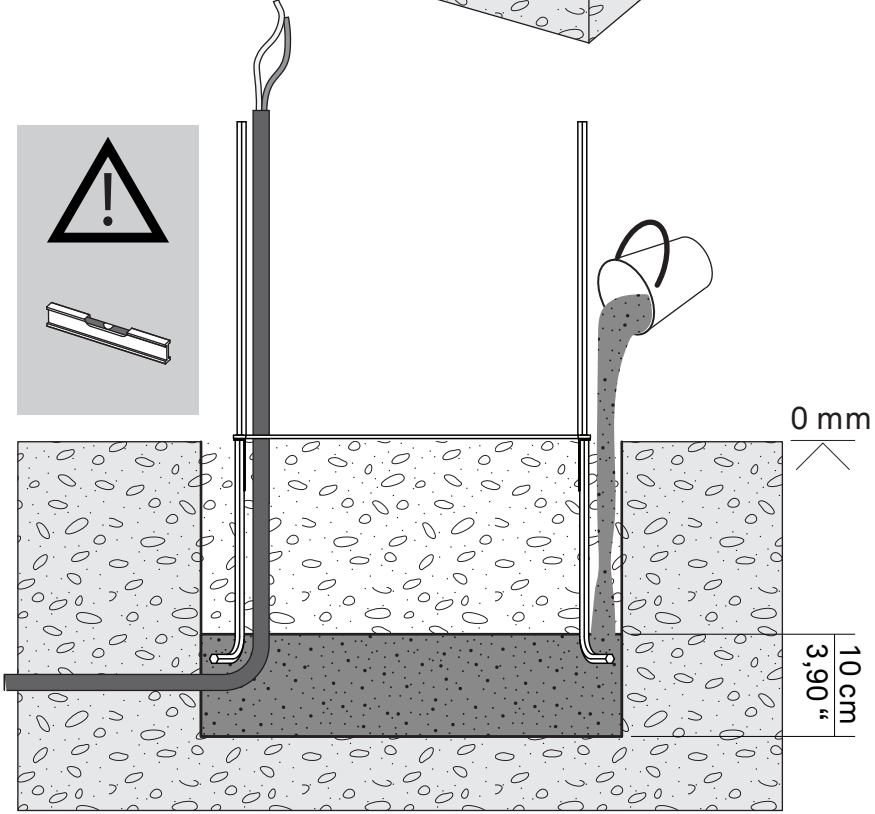
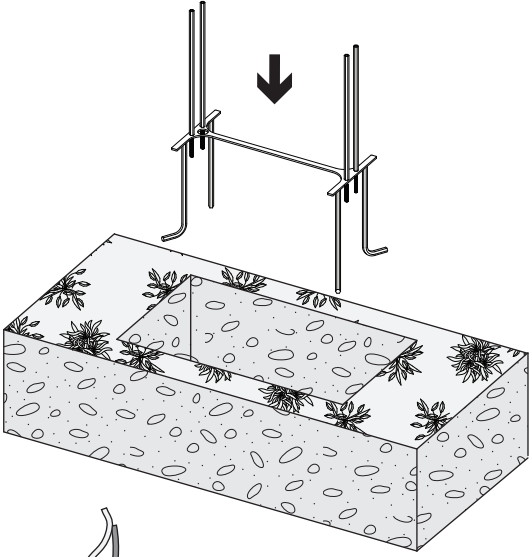
D98/2  
D98/3



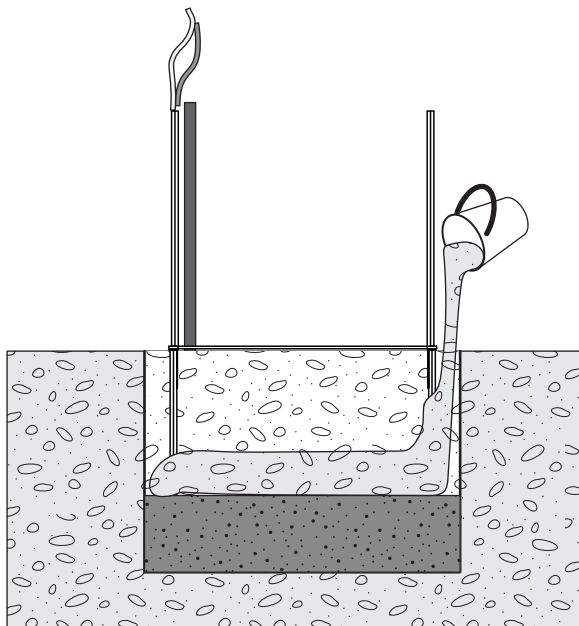
# 3.1



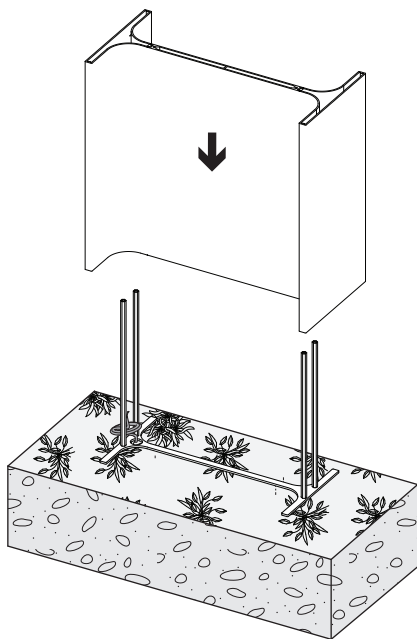
# 3.2



## 3.3

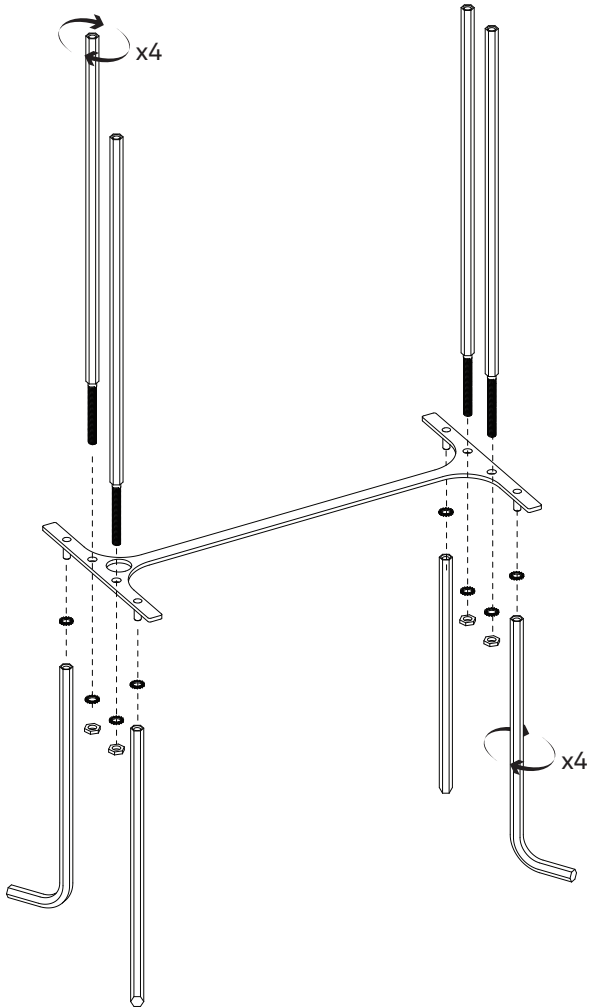
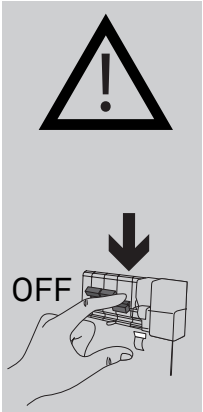
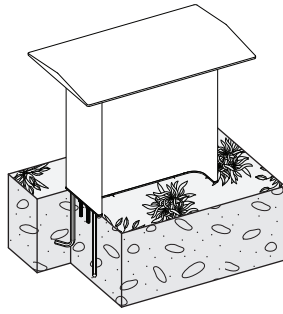


## 3.4



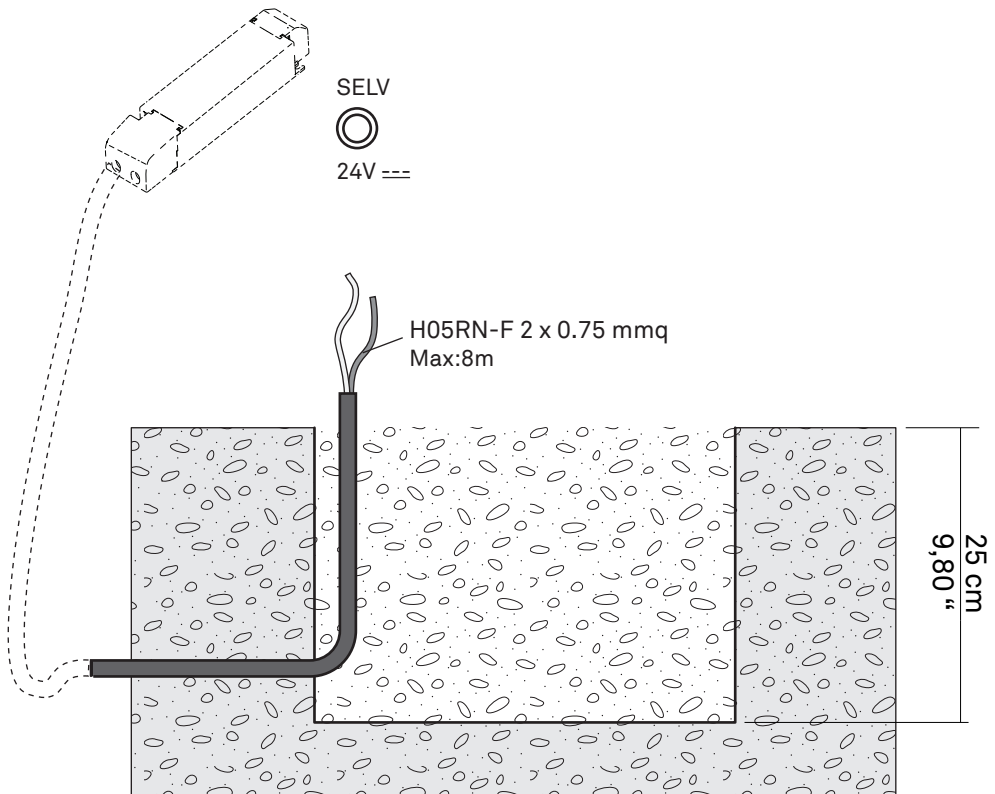
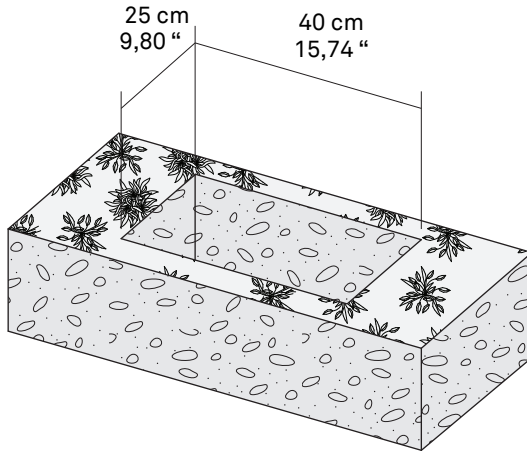
4

D98/2  
D98/3

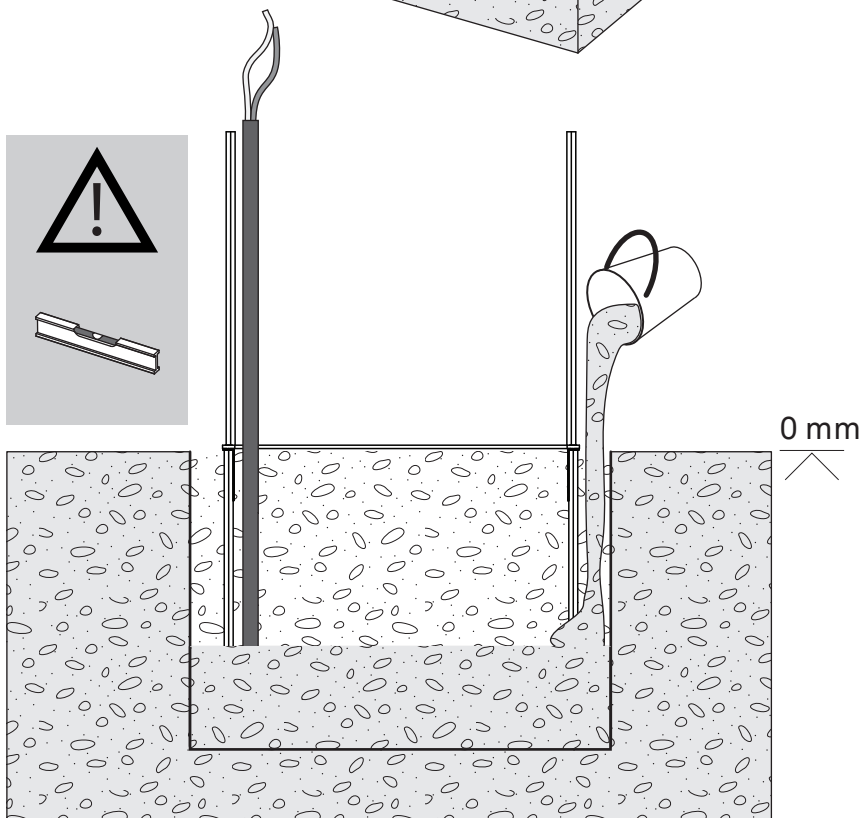
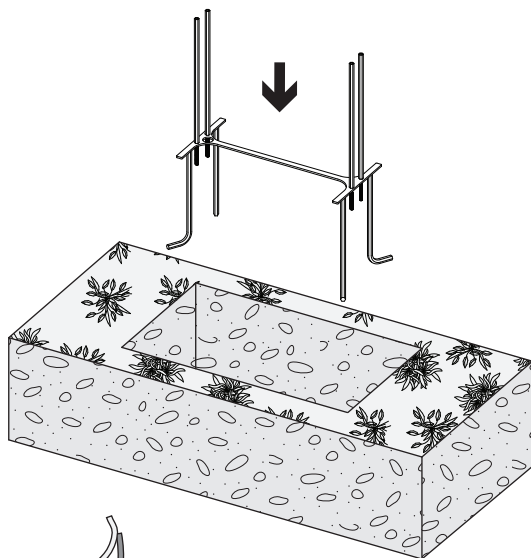




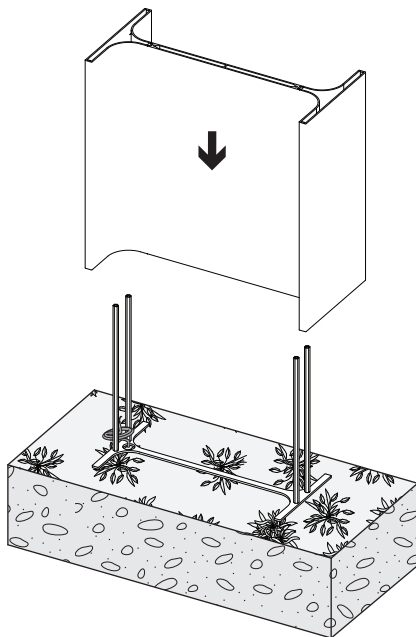
# 4.1



# 4.2

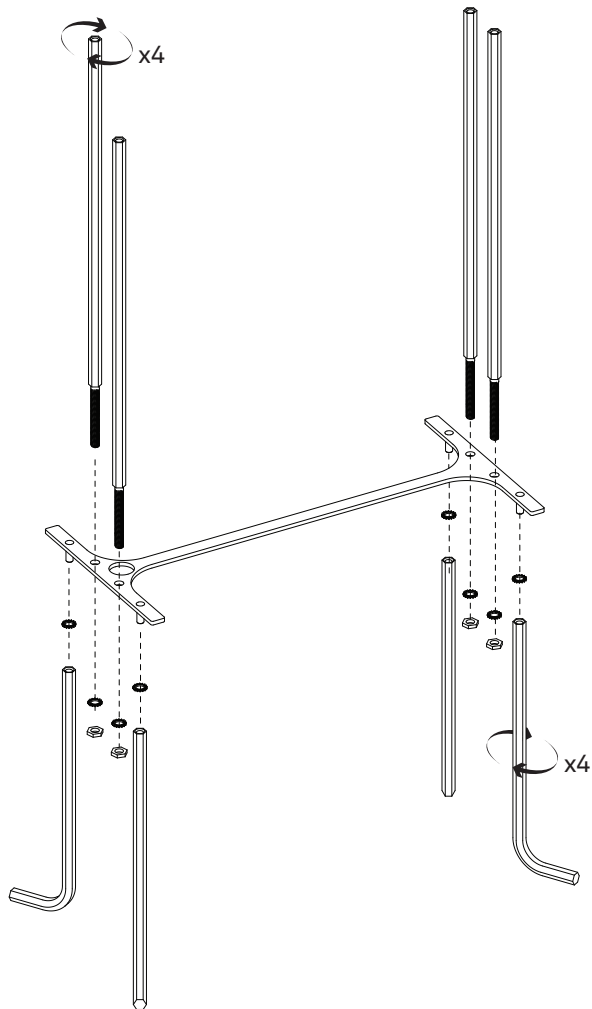
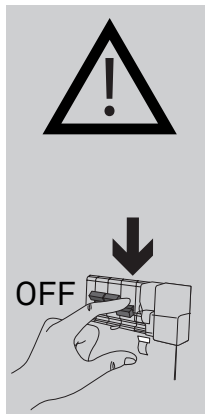
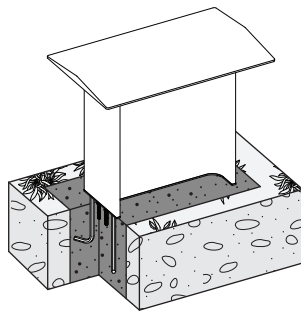


# 4.3

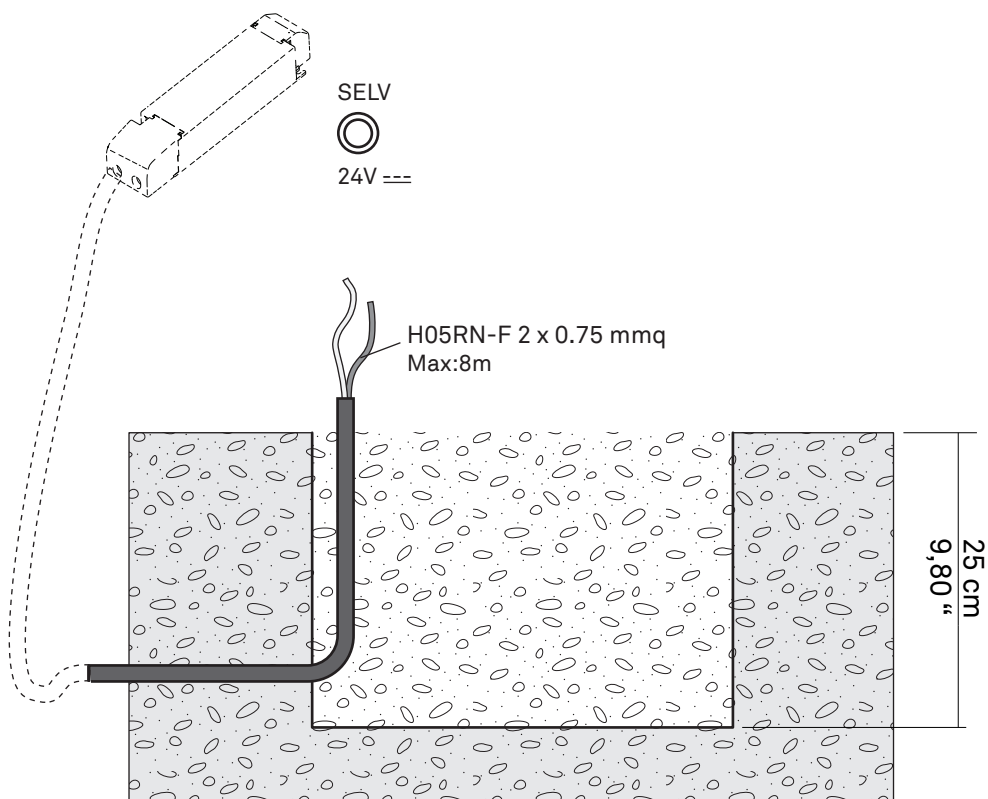
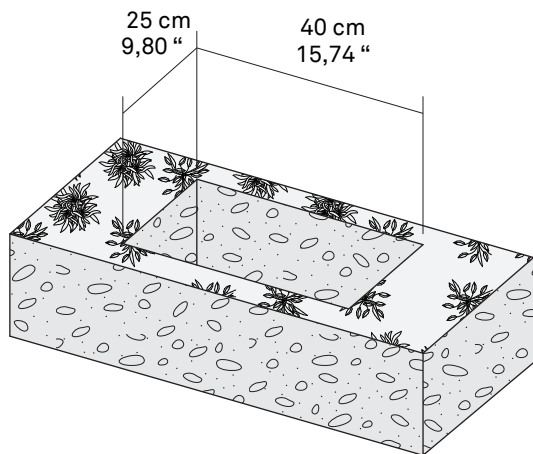


5

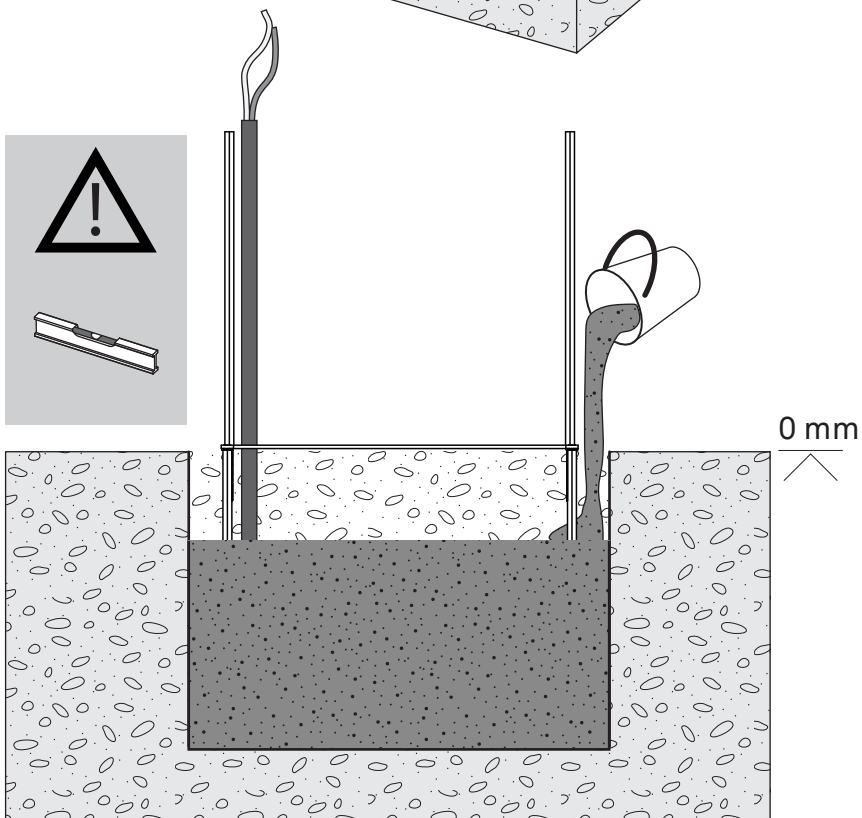
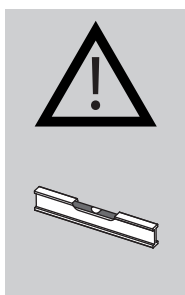
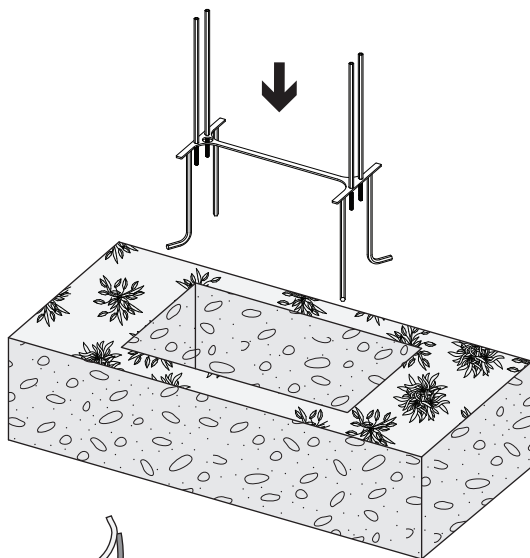
D98/2  
D98/3



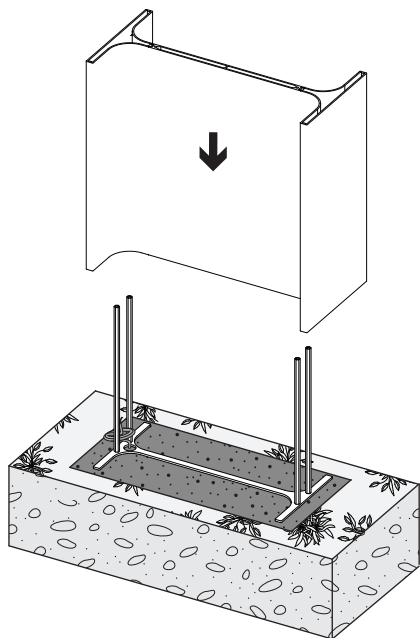
## 5.1



# 5.2

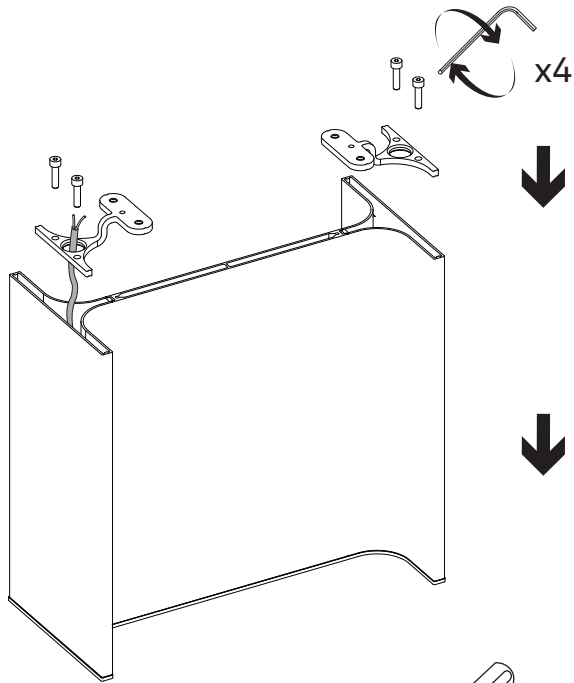


# 5.3

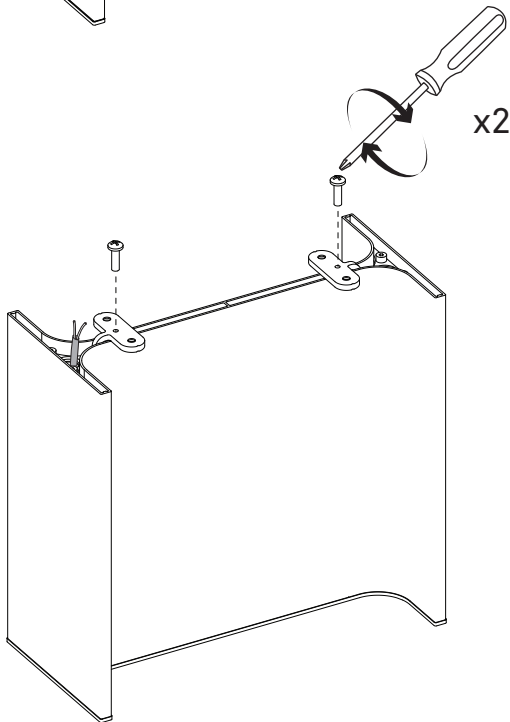


# 6

D98/2  
D98/3

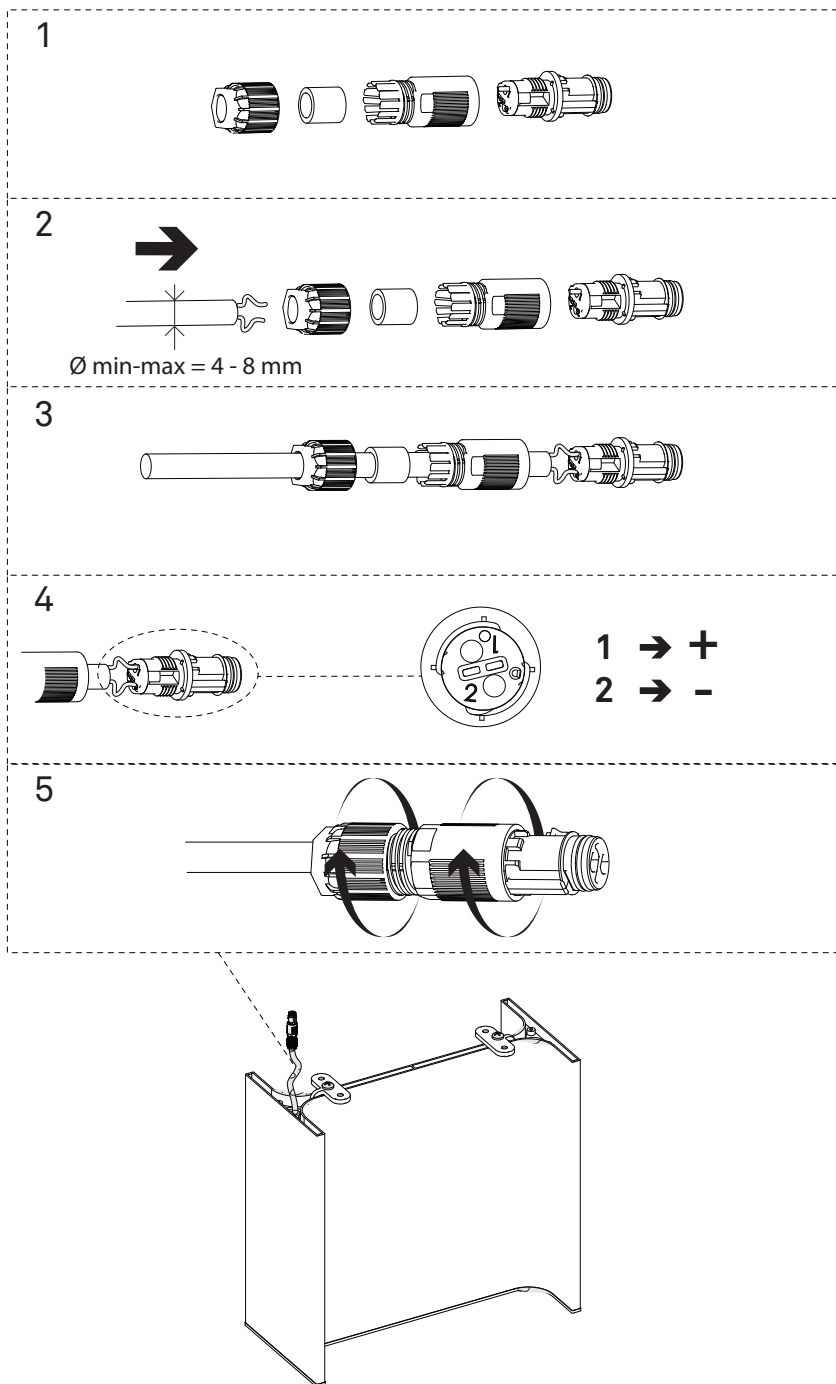


# 6.1

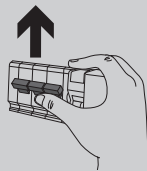
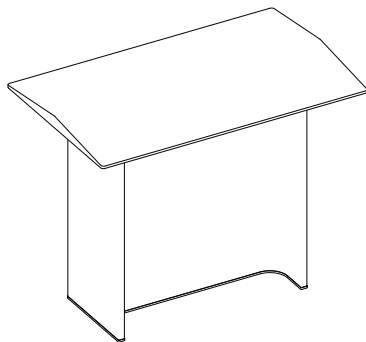
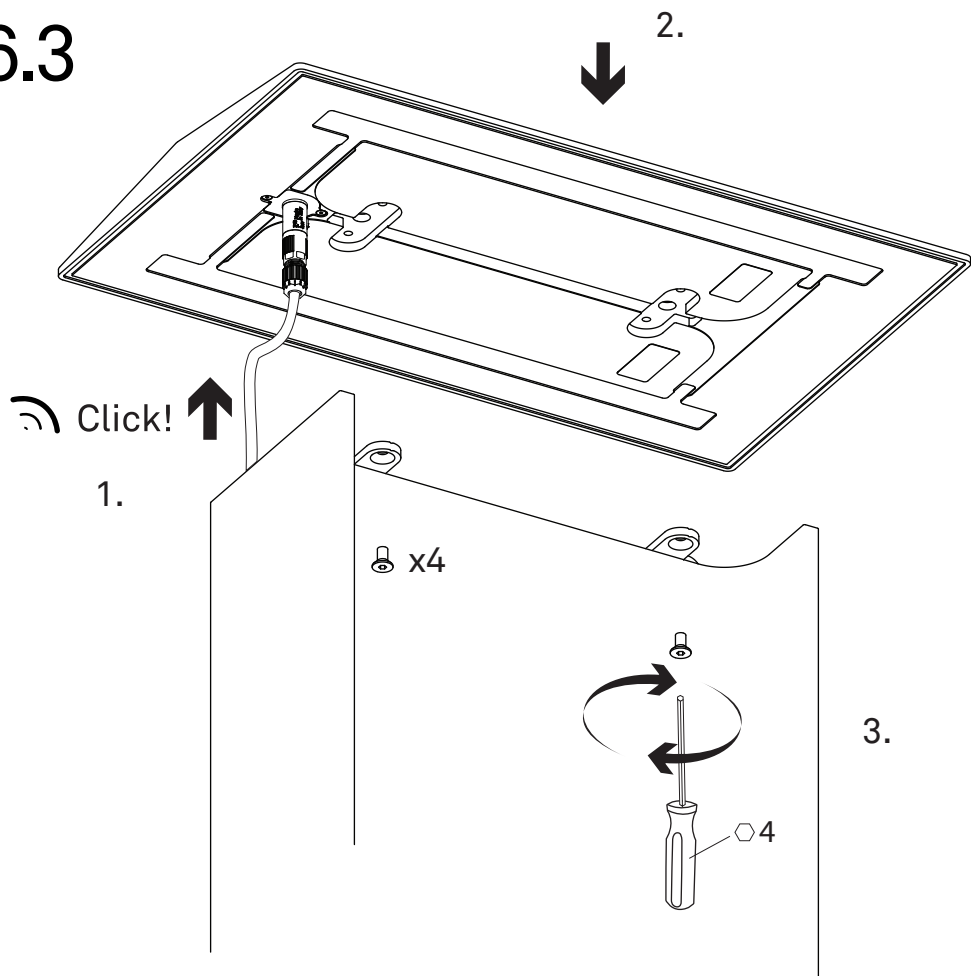


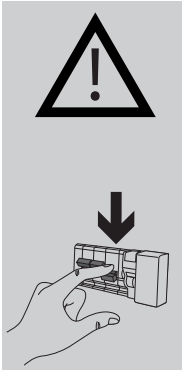


## 6.2

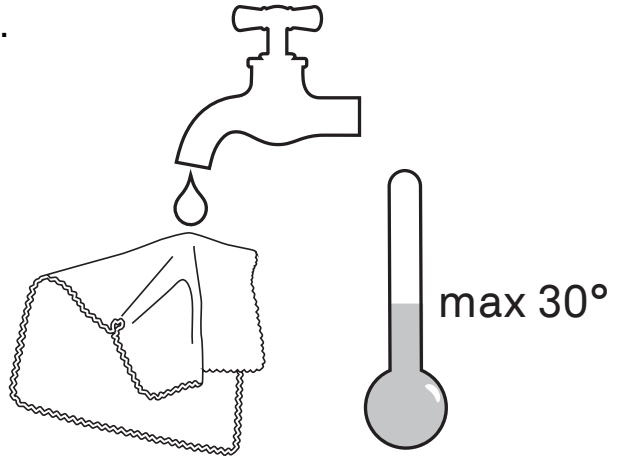


# 6.3





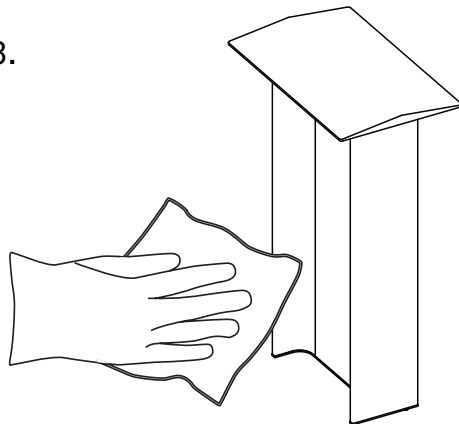
1.



2.



3.





[www.luceplan.com](http://www.luceplan.com)

D980ID02