

COMPENDIUM

design Daniel Rybakken, 2014

**LUCE
PLAN**

Type: Suspension

Lamps: LED 43W 120/277V~ 60Hz
3000K
dimmable phase cut

Product use: Indoor

Materials: Profile in extruded aluminum anodized in various colors.

Colors: Black, brass, aluminum

Description: Compendium stands out for the evocative graphic-sculptural impact of their slim silhouette.

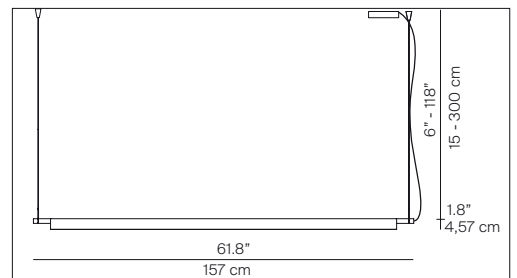
Marking: 

Reference code: Structure

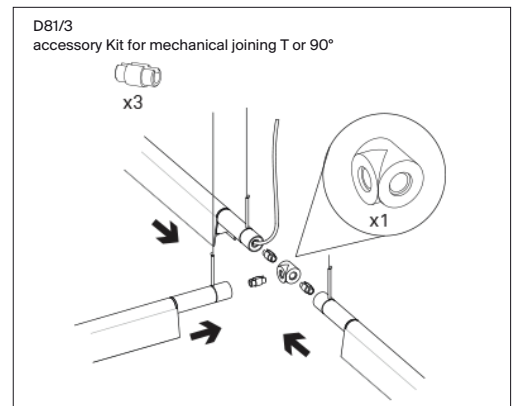
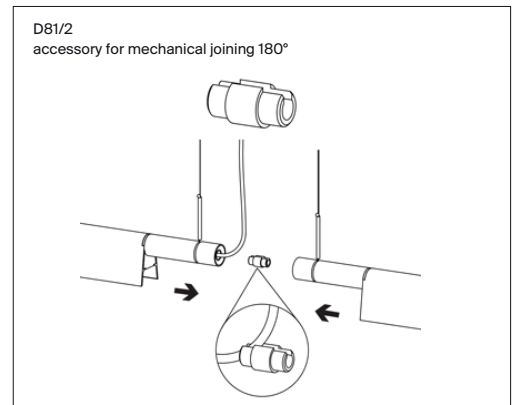
D81B	1D810B000030	brass
	1D810B000020	alu
	1D810B000001	black

Canopy phase cut		
D81/7T	1D810/7T0500	white

Accessory		
	1D810/200001	black
	1D810/300001	black



D81B2/D81BW2
ceiling rose: L 18 x W 13 x H 4 cm
weight 2kg



^(*) The LED lamps cannot be changed in the luminaire.
Power consumption by device